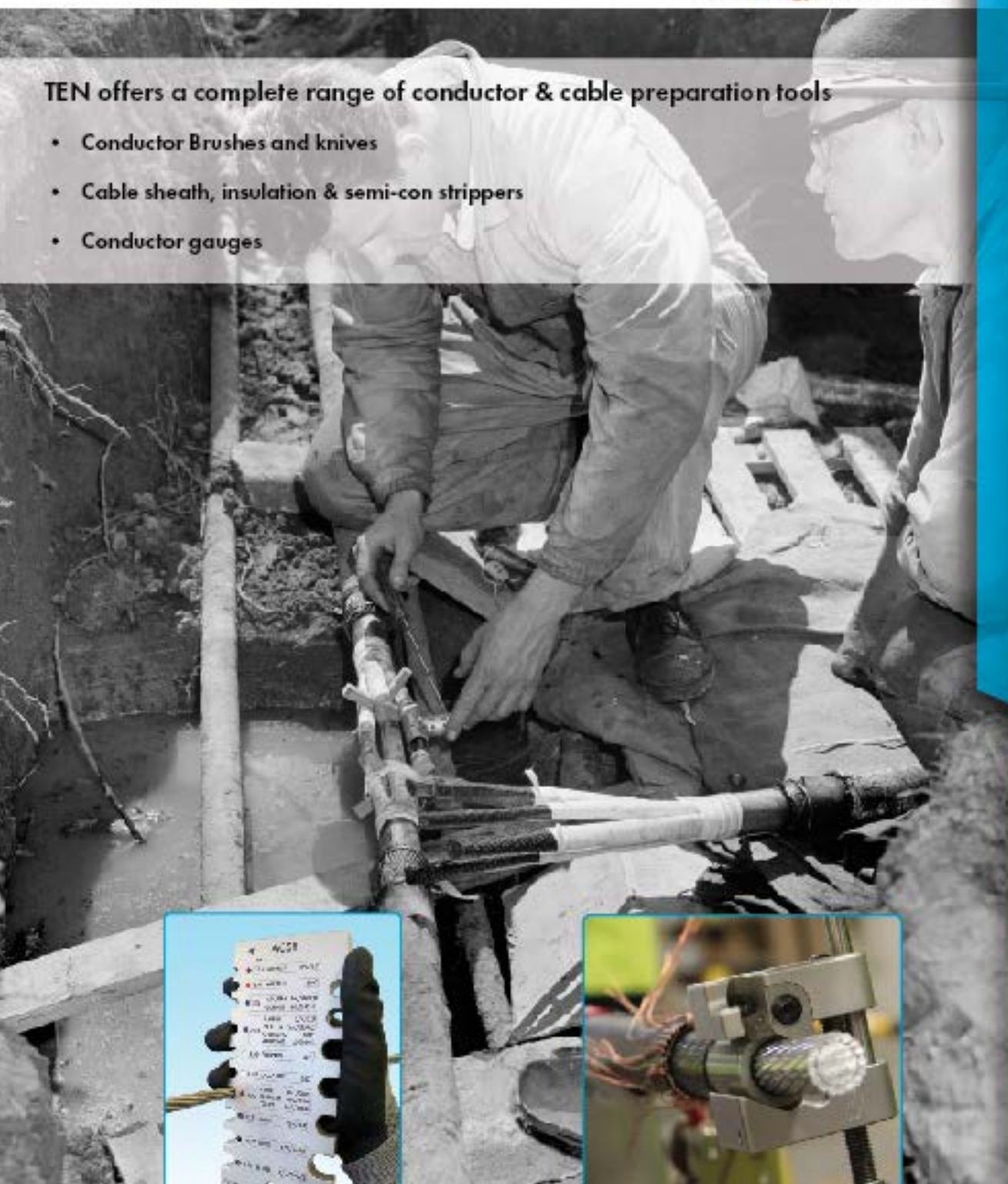




CONDUCTOR & CABLE PREPARATION TOOLS

TEN offers a complete range of conductor & cable preparation tools

- Conductor Brushes and knives
- Cable sheath, insulation & semi-con strippers
- Conductor gauges





INDEX

Conductor & Cable Preparation Equipment	3
Scratch Brush - "Dog-bone and FlatRound" - Madi	3
Scratch Brush and Safety Knife - Madi	3
Conductor Scratch Brushes.....	3
Stick Scratch Brushes - Hastings.....	3
Cable Preparation Tools.....	4
Drill Driven Cable Stripper - Utility Tool	4
2 and 4 Way Cable Stripper - LV ABC - Utility Tool	4
ABC Strippers	4
Outer Sheath Stripper - Ratcheting - Ripley	5
Outer Sheath Ripper Stripper	5
Adjustable Outer Sheath Stripper Tool	5
Outer Sheath Stripping Tool	5
Sheath Stripper	5
Cable Sheath & Insulation Stripper.....	5
Adjustable Sheath and Insulation Stripper	6
Adjustable Sheath and Insulation Stripper	6
Outer Sheath & Insulation Strippers.....	6
Plier Style Sheath Strippers.....	7
Semi-Con, Sheath and Insulation Stripper	8
Semi-Con Scorer - Peelable	8
Semi-Con Scorer - Peelable	8
Chamfer Tool - Insulation	9
Chamfer Tool - Cable Stripper	9
Safety Knife - Madi	9
Safety Knife and Scratch Brush - Madi	9
Safety Knife.....	9
Cable Skinning Knife - Klein.....	9
ACSR Conductor Strippers	10
Conductor Diameter Gauges	10
Conductor Gauge - TEN	10
AL, CU & ACSR - Common Conductor Sizes.....	10
CABLE COMPONENT TOOL GUIDE.....	11
CABLE PREPARATION TOOLS (cont.)	12
CABLE PREPARATION TOOLS (cont.)	13



Conductor & Cable Preparation Equipment



DBWB-1



FRWB-1



BB-2S



Scratch Brush - "Dog-bone and FlatRound" - Madi

- Designed to encourage linemen to brush with a more convenient and ergonomic design making it more convenient than ever before
- Replaceable brush inserts make a cost effective solution
- Suitable for use up to 45mm conductor
- Made from Non-conductive materials
- Minimise open neutrals and bad connections by brushing conductors properly

Part No. DBWB-1

- Dog-bone design, colour and marking for copper one end and aluminium the other

Part No. FRWB-1

- Designed for both flat and round connection such as palms
- Replaceable brush inserts suitable for both flat and round ends

Part No.	Description	Wt (kg)
DBWB-1	Dog-bone Scratch Brush (includes one set of inserts)	0.25
FRWB-1	Flat Round Scratch Brush (includes one set of inserts)	0.25
LWB-1	Replacement Wire Brush for DBWB-1/ FRWB-1	0.1

Scratch Brush and Safety Knife - Madi

Part No. BB-2S

- Integrated wire brush for cleaning conductors to make better connections
- Replaceable brush inserts make a cost effective solution
- Suitable for use up to 25mm conductor
- Blunt Tipped fold-away blade for added safety
- Stainless steel blade for maximum durability and sharpness

Part No.	Description	Wt (kg)
BB-2S	Fold-away Safety Knife and Round Scratch Brush	0.23
WB-1	Replacement Wire Brush for BB-2S	0.1

Conductor Scratch Brushes

Part No. SB-3 & SB-4

- Used for preparing the surface of conductor prior to applying a connector/splice
- Tough stainless steel bristles resist rust
- Copper or aluminium available - use only on specified conductor to prevent cross contamination

Part No.	Colour	Conductor Type	Wt (kg)
SB-3	White	Aluminium	0.1
SB-4	Black	Copper	0.1

Stick Scratch Brushes - Hastings

Part No. Various

Replaceable Brushes (10-179)



Part No.	10-178	10-180	10-179
Description	Complete "V" Brush unit with Handle for Gloved Hands, Shotgun Ring, Replaceable Brushes (10-179)	Complete "V" Brush unit with Universal Head Attachment, Replaceable Brushes	Pack of 10 Replacement Brushes
Material	Thermoplastic Handle & S/S Bristles	Al Alloy Body & Stainless Steel Bristles	Stainless Steel Bristles



Cable Preparation Tools

Drill Driven Cable Stripper - Utility Tool

Part No. WS68-3-8
Power Driven Cable End Stripper

The Utility Tool LV Cable Strippers are a fast, safe and economical stripping tool with interchangeable square cut bushings for a wide range of common Australian LV cables. Easily setup with your chosen bushing, the tool can be quickly attached to your cordless driver for effortless cable stripping.

Benefits

- Increases safety by eliminating use of traditional knives, reducing the risk of cuts or lacerations
- Easily attaches to power drill for safe & efficient cable stripping
- Adjustable strip lengths from 15.9mm to 63.6mm
- Increases splice & union reliability with accurate strips every time
- Use with bushings specifically designed to suit 16-150mm² Australian conductor
- For Low Voltage Applications
- Evenly Strips Insulation
- The optional WS68 Snaps patent-pending Quick Connect Adapter makes changing bushings faster & more efficient - even with gloves only



Unique Australian Bushing Part No's



Part No.	Square Cut Bushings
	LV ABC
RB-100	10mm ² Al XLPE OH
RB-101	16mm ² Al XLPE OH
RB-200	25mm ² Al XLPE OH
RB-201	35mm ² Al XLPE OH
RB-300	50mm ² Al XLPE OH
RB-301	70mm ² Al XLPE OH
RB-400	95mm ² Al XLPE OH
RB-401	120mm ² Al XLPE OH
RB-500	150mm ² Al XLPE OH
Part No.	Underground
RB-102	16mm ² Cu XLPE/PVC LV UG (Olex)
RB-202	35mm ² Cu XLPE/PVC LV UG (Olex)
RB-302	50mm ² Cu XLPE/PVC LV UG (Olex)
CB6667	Bushing spare blade



Unique Quick Connect Adapter

For fast bushing changes.

Part No. 40110

SCAN or CLICK to see the stripper in action



Contact TEN for information on the full range of available bushings

2 and 4 Way Cable Stripper - LV ABC - Utility Tool

The Utility Tool LV Cable Strippers are a fast, safe and economical stripping tool with interchangeable square cut bushings for a wide range of common Australian LV cables. Available in a 2 bushing body or 4 bushing body, these are easily setup with your go to bushings.

- Safer than ripping tools/strippers with a guarded cutting blade
- Fast and simple to use
- Precise stripping with no conductor damage
- Suitable for XLPE, PVC and EPR insulations
- Commonly used for ABC and SDI cables
- Made in the USA

See above table for available Bushings



2x2 Body w/ bushings



4x4 Body w/ bushings



Part No.	Description
36101H	Stripper, cable, body only, 2x2, includes allen keys, Ripley
36001H	Stripper, cable, body only, 4x4, includes allen keys, Ripley
40110	Adapter, snap on to suit 2x2 and 4x4 strippers for quick bushing change, Ripley

ABC Strippers

Part No. ABC-STRIPPER

- Removes tough insulation from low voltage aerial cables

Part No.	For	Suits Cable (mm ²)	Spare Blade #	Wt (kg)
ABC-STRIPPER-95	ABC	95	ABC-STRIPPER-B	0.1
ABC-STRIPPER-150	ABC	150	ABC-STRIPPER-B	0.1



Outer Sheath Stripper - Ratcheting - Ripley

Part No. US14-7000

Ratcheting outer sheath cable splitter removes the outer sheath from HV and LV cables. The US14 easily performs ring cuts and slit mid-spans on ducts and heavy-duty cables.

- Equipped with safe, recessed blade to prevent potential injury & blade damage
- Compatible with high fiber count fiber optic cables
- Micro-adjustable blade depth adjusts up to (5 mm) to avoid underlying cable damage



Part No.	Description	Min Cable (mm)	Spare Blade #	Wt (kg)
US14-7000	Ratcheting Slitter	25	US14-7500	0.18

Outer Sheath Ripper Stripper

Part No. HRIPS

- For safe removal of outer sheaths
- Reversible blade has blunt mushroom head which stops damage to inner core



Part No.	Suits Cable	Spare Blade #	Wt (kg)
HRIPS	LV & HV	HRIPS-B	0.2

Adjustable Outer Sheath Stripper Tool

Part No. R3840

- Adjustable cutting-depth by thumb wheel
- Circular and longitudinal cutting
- Replacement blade in the handle



Part No.	Strip Range (mm)
R3840	8 to 28

Outer Sheath Stripping Tool

Part No. AM2

- Auto-Tensioning - Adjustable cutting-depth by thumb wheel
- Circular and longitudinal cutting
- Replacement blade in the handle



Part No.	Strip Range (mm)
AM2	25 to 36

Sheath Stripper

Part No. IBST5024

- Used for removal of core insulation
- Removes insulation up to 5.5mm
- Cable range from 12 - 38mm (50 - 400mm²)
- Long life blade - Spare Blade Part No. IBST5024B



Cable Sheath & Insulation Stripper

Part No. 1542-2CL-1

- Tool with Wedge Blade installed, spare straight blade
- 45mm max cable diameter
- Precise blade depth adjustment to 12mm
- Removes PE, XLPE, EPR and other insulation types from HV power cable
- No bushings required
- Spare Blade Part No. 1562





UtilityTool®

A RIPLEY® BRAND



SCAN or CLICK for more information

Perfect for Mid-Span & End Stripping on CCT, Hendrix, Spacer Wire & Tree Wire Cables

Adjustable Sheath and Insulation Stripper

Part No. US01-7000

The industry's most versatile, reliable and accurate adjustable tool for mid-span and end stripping on HV and LV utility cables.

Features

- Easily strip mid-span double insulations in one go for direct connection via PG or Wedge Style connector, or strip outer sheath only for insulated piercing connectors (IPC's)
- Eliminates the need for traditional stripping knives, reducing the risk of cuts or lacerations
- Heavy duty tool easily removes jacket & various types of insulation materials
- Patent-pending, self-aligning design maintains optimum blade position to produce precise cuts for reliable splices & connections
- Well-balanced tool has low friction parts & ergonomic handles to reduce effort & potential strain from repetitive stripping functions
- Spare blades also available: (US01-7500)

Compatibility

Cable Type		HV and LV Utility Cables
Cable Size (mm)		12.7 to 63.5
Compatible Materials	Jacket	URD, PE, PVC, Copper Tape Shield, LC Shield, Flat Strap
	Insulation	XLPE, PE, EPR
Cable Access		Mid Span & End Strip
Blade Adjustability	Angle	Yes
	Depth (mm)	Yes (1.5 to 10.6)
Removable Handles		Yes



SCAN or CLICK for more information

Quickly adjusts and clamps on to cable diameters from 7.6mm to 35mm

Adjustable Sheath and Insulation Stripper

Part No. US07-7000

US07 Adjustable Cable Stripper that quickly and easily end strips or midspan strips cable insulation with no conductor damage on 7.6mm to 35mm OD cables. The tool utilizes a size adjustment clamping system to swiftly adjust and lock onto the insulation.

Features

- Equipped with safe, recessed blade to prevent potential injury & blade damage
- Easily adjusts with detent actuated knob & fine adjustment knob to match
- Insulation thickness for fast stripping without conductor damage
- Durable bronze bushings provides longevity
- Spare blades also available: (US07-7500)



Compatibility

Cable Type	HV and LV Utility Cables
Cable Size (mm)	7.6 to 35
Materials Jacket	URD, PE, PVC
Cable Access	Mid Span & End Strip
Blade Depth (mm)	Adjustable (1.15 to 3.2)
Removable Handles	Yes

Outer Sheath & Insulation Strippers

Part No. POLY

- Large knobs for opening/closing jaws and offsetting tool
- Locknut on opening/closing knob for maintaining position
- Blade direction lever and knurled cutting depth knob
- Directional markings on body
- Stainless steel and aluminium alloy construction



SCAN or CLICK for more information

Part No.	Capacity (mm)	Cutting Depth (mm)	Suits Jackets	Retract Stop (mm)	Spare Blade
POLY	7 - 33	12	All (XLPE/EPR/PVC/PE)	20-110	LAME-POLY-L



INDEX

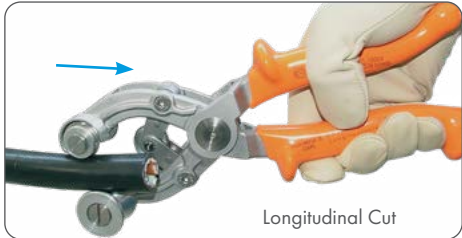
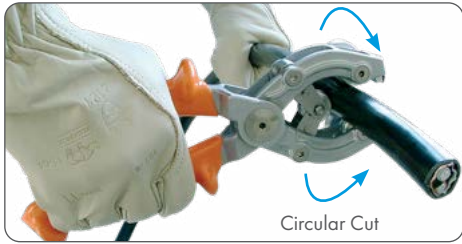
Plier Style Sheath Strippers

Plier type Sheath strippers, for circular & longitudinal cutting with end ripping claw blades

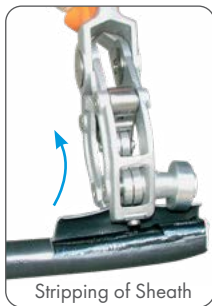
- 1000V Insulated and Non-insulated models available
- Plier type strippers, circular/longitudinal cut with end ripping blade
- Replaceable cutting blades (available in kits)
 - 3 or 4 x Circular cutting blades, 1 x Lengthwise cutting blade and 2 x Claw blades
- Ideal for stripping Sector or deformed cable
- Lead Sheath stripper available



Replaceable Cutting Wheels & Claw Blades
SCAN or CLICK QR-Code for ordering guide



SCAN/CLICK for a copy of the PAD/PBT ordering Guide



Part No.	Insulated	Circular Cut Depth (mm)	Lengthwise Cut Depth (mm)	Capacity (mm)	Wt (kg)
PAD12-16A	No	1.2	1.6	10-45 OD	0.75
PAD16-20A	No	1.6	2	10-45 OD	0.75
PAD30-30A	No	3	3	10-45 OD	0.77
PAD32-34A	No	3.2	3.4	10-45 OD	0.77
PAD40-40A	No	4	4	10-45 OD	0.77
PBT IS 12 16 A	1000V	1.2	1.6	10-45OD	0.6
PBT30-30A	1000V	3	3	10-45 OD	1.3
PBT40-40A	1000V	4	4	10-45 OD	1.3
PBT20-20B	1000V	2	2	20-45 OD	1.3

Other sizes and blade combinations available

Specifications



PBT Model
Insulated 1000V EN60-900



PAD Model
Non-insulated model, black sheathed



PBT IS Model
Fully Insulated 1000V EN60-900

Part No.	LxWxD (mm)	Range (mm OD)	Wt (g)	Part No.	LxWxD (mm)	Range (mm OD)	Wt (g)	Part No.	LxWxD (mm)	Range (mm OD)	Wt (g)
PBT (A)	283 x 78 x 80	10-45	720	PAD (A)	283 x 78 x 90	10-45	720	PBT IS (A)	270 x 81 x 95	10-45	560
PBT (B)	283 x 78 x 80	20-54	720	PAD (B)	283 x 78 x 90	20-54	720	PBT IS (B)	270 x 81 x 95	20-54	560



PAD32-34A
Ideal for stripping CCT



Ideal for stripping Sector or deformed cable



Replaceable Adjustable Wheels SCAN or CLICK QR-Code for ordering guide

Replaceable 0-4mm Adjustable Longitudinal Blade



DERANCOURT

Semi-Con, Sheath and Insulation Stripper

Part No. POLY Series

Strips Semi-Con, Outer Sheath and Insulation with one tool

- 3 Strippers in one
- 25mm² to 630mm² Capacity
- Suitable for a wide range of material e.g. (XLPE/EPR)
- 12mm Cutting Depth



POLY-SCP



POLY-SCNP



SCAN or CLICK for more information



Part No.	Semi-Con Type	Cable Dia (mm)	Cutting Depth (mm)	Replacement Blade	
				Sheath & Ins	Semi-Con
POLY-SCNP	Non-Peelable	7 to 33	0 to 12	LAME-POLY-L	LAME-OUT-SCNP
POLY-SCP	Peelable			LAME-POLY-L	LAME-OUT-SCP-CH

UtilityTool®
A RIPLEY® BRAND

Semi-Con Scorer - Peelable

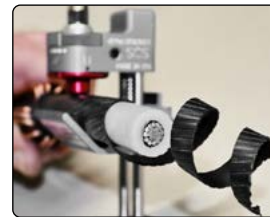
Part No. SCS

Compact & user-friendly tool scores semi-con on HV cables without damaging the insulation

- Eliminates the need for traditional stripping knives, reducing the risk of cuts or lacerations
- Performs longitudinal & spiral cuts on cable diameters ranging from 8 to 51 mm
- Precise & easily adjustable blade depths from 0 to 4 mm in increments of 0.05 mm
- Adjustable blade pitch accommodates various cable diameters



Part No.	Cable Dia (mm)	Blade Depth (mm)	Replacement Blade
SCS	8 to 51	0 to 4	43645



Semi-Con Scorer - Peelable

Part No. BC-UTT23521/2

- Scores Semi Conductive Screen on HV cables
- Screen simply peels away
- Choose blade depth



Part No.	Depth of scoring (mm)
BC-UTT23521	0.4
BC-UTT23522	0.6





Chamfer Tool - Insulation

Part No. US-10 Series

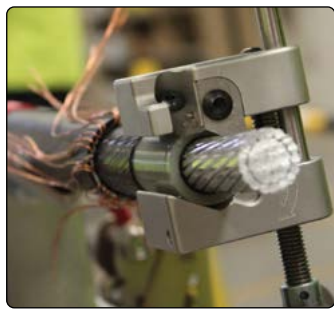
Insulation Chamfering Tool utilizes a size adjustment clamping system to quickly and easily adjust and lock onto the insulation.

- Performs a angle bevels with a factory-set chamfer depth of 1.9 mm
- Adjustable from 0 mm to 3.81 mm
- Equipped with safe, recessed blade to prevent potential injury & blade damage

SCAN or CLICK for more information



Part No.	Tool Type/ Application	Cable Insulation Capacity (mm)	Replacement Blade
US10-7000	30° Bevel Edger	14 - 60	US10-7500
US10-7001	45° Bevel Edger	14 - 60	US10-7501



Chamfer Tool - Cable Stripper

Part No. CHANFREIN-DT

- Chamfers a 30° angle bevelled edge on the insulation
- Hard Aluminium Clamps
- Stainless Steel fittings



Part No.	Tool Type/ Application	Cable Capacity (mm)	Replacement Blade
CHANFREIN-DT	30° Bevel Edger	9 - 33	LAME-CHANFREIN-DT

Safety Knife - Madi

Part No. FBSK-2S

- Safety Blade with Protective sheath – No Cut Blade Except for Recessed Area
- Ergonomic Design with Over Mold for Secure Grip
- Finger Guard for Maximum Safety
- High Grade Stainless Steel Blade for Maximum Durability for the Toughest Insulation
- Blade & Snap Ring are Molded for Superior Strength & Separated by Non-conductive Material



FBSK-2S

Part No.	Description	Wt (kg)
FBSK-2S	Fixed Blade Blunt tipped safety knife	0.2

Safety Knife and Scratch Brush - Madi

Part No. BB-2S

- Integrated wire brush for cleaning conductors to make better connections
- Replaceable brush inserts make a cost effective solution
- Suitable for use up to 25mm conductor
- Blunt Tipped fold-away blade for added safety
- Stainless steel blade for maximum durability and sharpness



BB-2S

Part No.	Description	Replacement Brush	Wt (kg)
BB-2S	Fold-away Safety Knife & Round Scratch Brush	WB-1	0.23

Safety Knife

Part No. KNIFE082

- Twin Blade with Blade cover
- Strong Durable high impact body
- Unique design prevents injury

Suitable for Pole Top Rescue Kits

Cable Skinning Knife - Klein

Part No. 1570-3

- 75mm Hook Blade
- Notched Blade for scraping





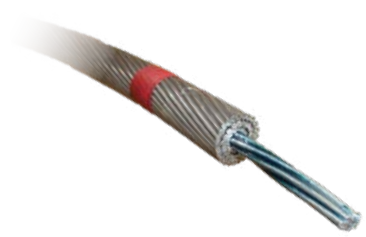
ACSR Conductor Strippers

Part No. PSC-1

The Trimmer quickly and accurately removes the aluminium stranding from around the steel core of ACSR conductors in preparation for crimping the steel inner strand.

Features

- Made of an aluminium alloy
- Lightweight and durable
- Operates like a Tube Cutter
- Carry Case stores 11 bushings
- Standard Bushing sizes available (Sold separately)
- Bushings can be made to suit a wide range of ACSR conductors



Bushing Holder



Bushing

Part No.	Kit Contains	Bushings to suit	Replacement Cutting Wheel #
PSC-1	Tool, bushing holder, (1) extra cutting wheel, and a plastic case that holds up to 11 bushings.	Lime Cherry Mango Grape Lemon Lychee Orange	TE54270
TE****	Bushing for use with PSC-1, *conductor to be specified	Olive Pawpaw	-

*Other size bushings available on request

PSC-2 Trimmer and Bushings available for larger size ACSR conductors
Please contact TEN for further information

Conductor Diameter Gauges

Conductor Gauge - TEN

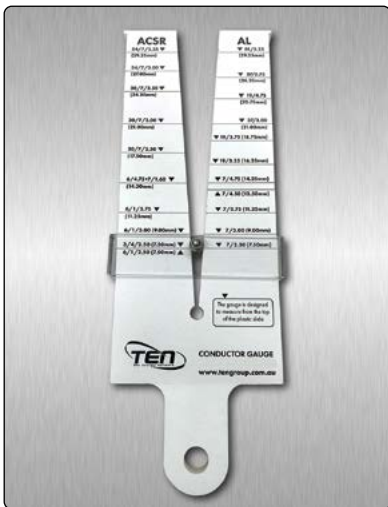
Part No. CG-430-AU

HDPE slide gauge quickly & easily identify conductor OD

- Designed for Australian AL, CU & ACSR conductors
- Measure Live Conductors

- For conductors 4.0 - 30mm Ø
- Fits universal sunrise fitting

Reduce Incorrect Conductor Identification



Part No.	Dimensions (mm)	Weight (kg)
CG-430-AU	104 (W) x 287 (L) x 10 (D)	0.26

AL, CU & ACSR - Common Conductor Sizes

Part No. CG-EQL Series

Quickly & easily identify common overhead electrical distribution conductor or wire sizes in AL, CU & ACSR. Markings include conductor name, stranding and overall diameter.

- Hole in base for use with a shotgun stick and hanging storage
- Imperial and metric sizes included
- Precision machined from lightweight aluminium alloy



Part No.	Conductor Range	Dimensions (mm)	Wt (g)
CG-EQL-ALCU	Copper 7/.064 – 4.87mm to 19/2.75 – 13.8mm Aluminium Locust – 7/.093 – 7.08mm to Taurus – 19/4.75 – 23.80mm	257 (W) x 91 (L) x 14 (D)	750
CG-EQL-ACSR	ACSR Quince – 5.25mm to Wolf – 18.13mm	209 (W) x 91 (L) x 14 (D)	650



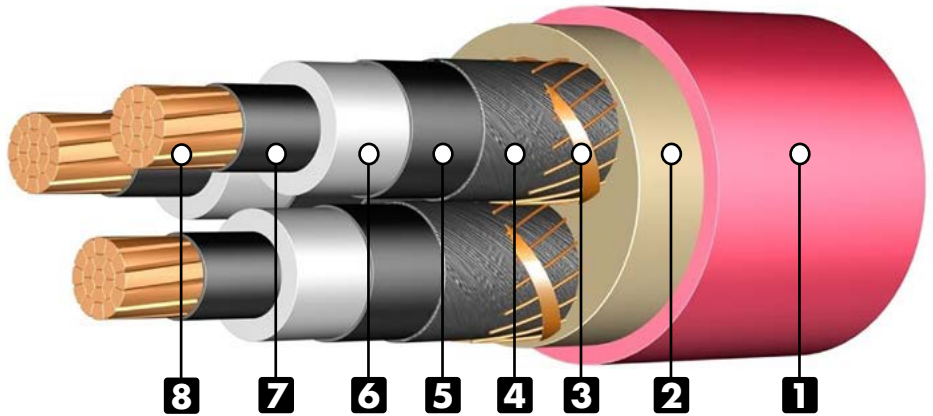
CABLE COMPONENT TOOL GUIDE

Selection of the correct Cable Preparation Tool is important in the process of cable splicing and termination. Whether its for stripping outer sheaths, scoring & removal of semi-con & removing and chamfering of insulation, TEN has a quality, easy to use tool that produces consistent and uniform preparation of cables.

Outer Sheath, Semi-con and Insulation are produced in a variety of materials and thicknesses depending on voltage and manufacturer, this is why it is important to identify the cable correctly, so a suitable tool can be selected.

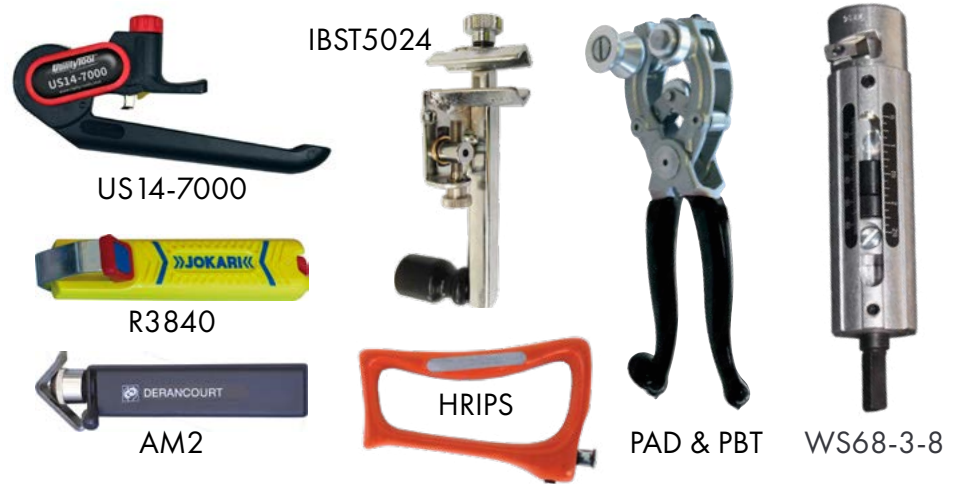
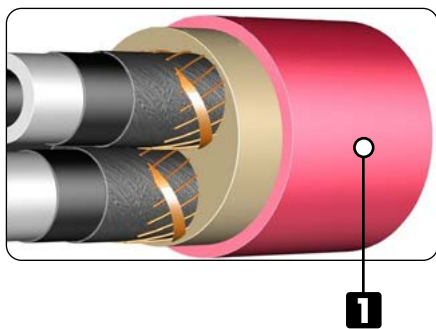
HV, Three Core Copper Cable components

1	Outer Sheath
2	Core Cover
3	Copper Screen
4	Semi-Con Tape
5	Semi-Con
6	Insulation
7	Semi-Con (inner layer)
8	Copper Conductor

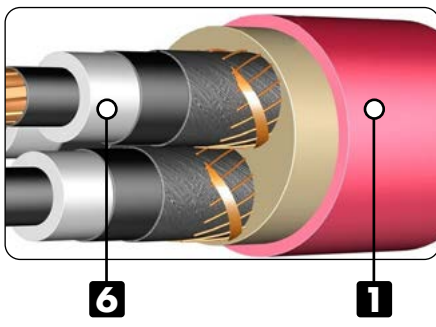


Strippers

1. OUTER SHEATH



1. OUTER SHEATH 6. INSULATION



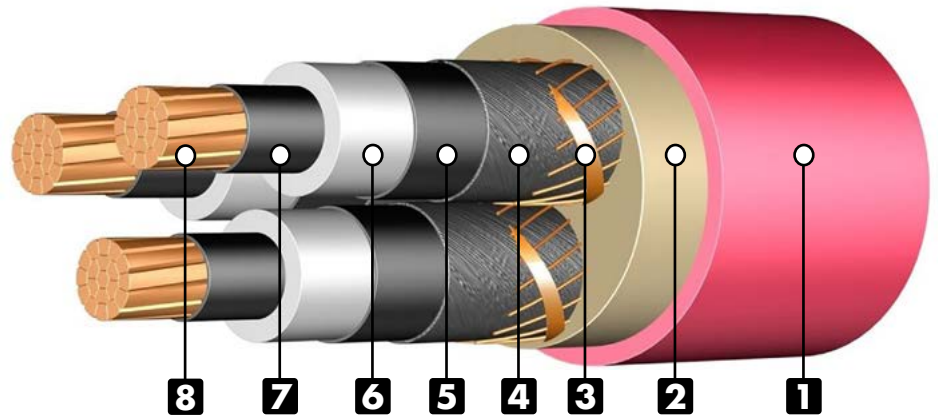
NOTE: This document is a guide only. Please consult your cable manufacturer for correct cable specification. Please contact TEN if you are unsure of the correct tool selection. A cable sample may be required for test stripping



CABLE PREPARATION TOOLS (cont.)

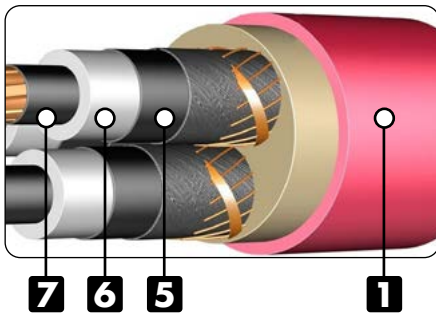
HV, Three Core Copper Cable components

1	Outer Sheath
2	Core Cover
3	Copper Screen
4	Semi-Con Tape
5	Semi-Con
6	Insulation
7	Semi-Con (inner layer)
8	Copper Conductor



Strippers

**1. OUTER SHEATH
5 & 7. SEMI-CON
6. INSULATION**

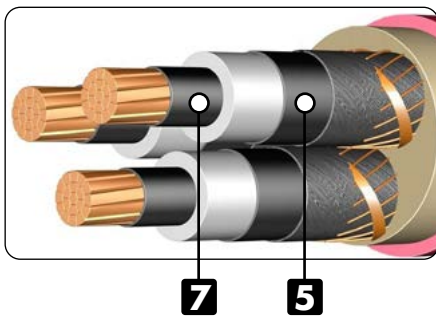


POLY-SCP



POLY-SCNP

5. & 7. SEMI-CON



SCS

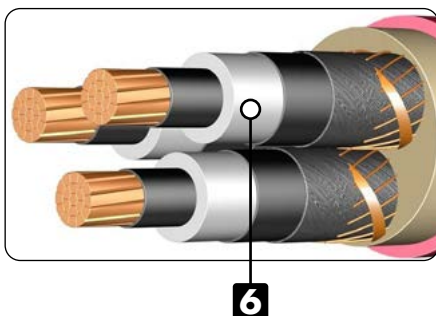


BC-UTT2352



BC-UTT2351

6. CHAMFER



CHANFREIN-DT



US-10

NOTE: This document is a guide only. Please consult your cable manufacturer for correct cable specification. Please contact TEN if you are unsure of the correct tool selection. A cable sample may be required for test stripping



CABLE PREPARATION TOOLS (cont.)

Specialised Strippers

1. OUTER SHEATH

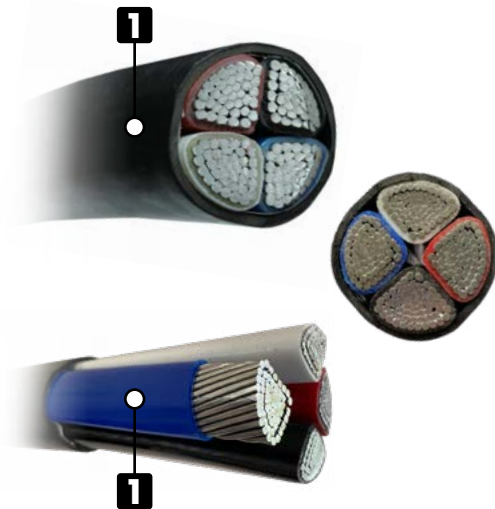
OH ABC



UG Building



UG Sector



CCT Cable



WS68-3-8



36001H



36101H



RB-Variou Cable Stripping Bushings (for above tools)



US14-7000
For Sector
Outer Sheath



PBT



PBT IS



PAD



NOTE: This document is a guide only. Please consult your cable manufacturer for correct cable specification. Please contact TEN if you are unsure of the correct tool selection. A cable sample may be required for test stripping



3100+ QUALITY PRODUCTS
44 MANUFACTURERS
10 CATEGORIES
1 SOURCE



SCI QUAL
INTERNATIONAL



SCI QUAL
INTERNATIONAL



SCI QUAL
INTERNATIONAL

QUALITY TOOLS,
EQUIPMENT AND LINE
MATERIALS FOR THE
ENERGY INDUSTRY

QLD/NT

65 Wentworth Place
BANYO QLD 4014
P|F +61 7 3212 8999 | 8998
W www.tengroup.com.au
E salesqld@tengroup.com.au

TEN HIRE

91 Basalt Street
GEEBUNG QLD 4034
P +61 7 3212 8999
W www.tenhire.com.au
E hire@tengroup.com.au

WA

4/15 Baile Road
CANNING VALE WA 6155
P +61 8 9455 5574
E saleswa@tengroup.com.au

NSW

Suite F2, Level 1
152-156 Pacific Highway
TUGGERAH NSW 2259
P +61 417 631 443
E salesnsw@tengroup.com.au

VIC

Unit 16, 191-195 Greens Road,
DANDENONG STH VIC 3175
P|F +61 3 9793 1622 | 1644
E salesvic@tengroup.com.au

TAS/SA

Unit 19, 15 Stanton Place
CAMBRIDGE TAS 7170
P +61 499 996 441
E salestas@tengroup.com.au