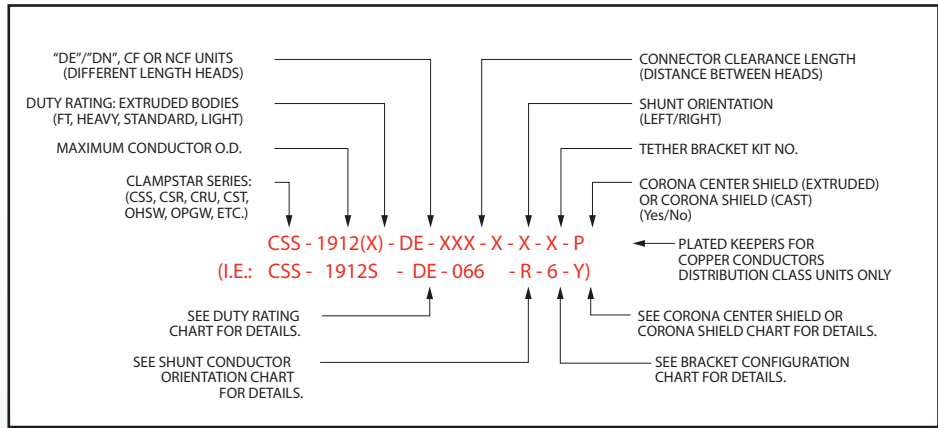


ClampStar®

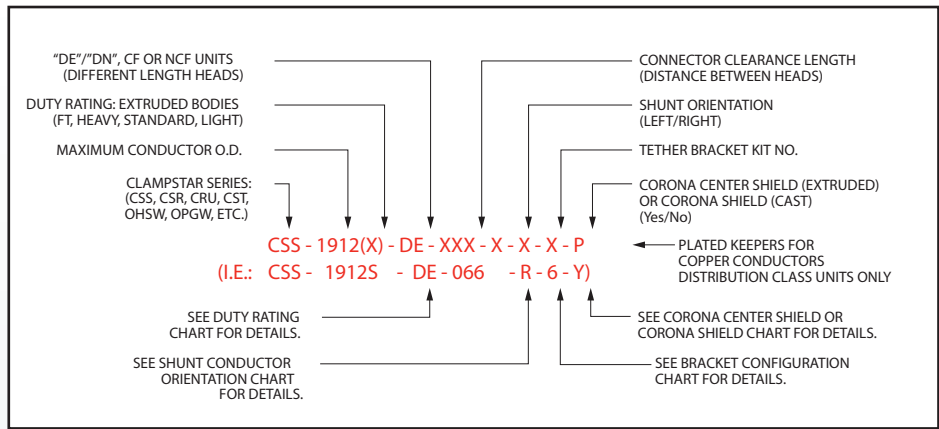
DATA CHART



****		Conductor Diameter Range				*****		*****	
Frame	ClampStar Part #	ACSR Conductor Range	Inches	mm	Keeper # per side	Lbs.	kg	Inches	cm
RIGID	CSR-0325L-007-P****	#6 AWG - #2 AWG	0.162 - 0.325	4.1 - 8.3	1	1.7	.8	12.2	31.0
	CSR-0325-015	#6 AWG - #2 AWG	0.162 - 0.325	4.1 - 8.3	2	3.5	1.6	26.38	67.0
	CSR-0609-024	#2 AWG - 266.8 kcmil	0.316 - 0.609	8.0 - 15.5	2	7.7	3.5	43	109.2
	CSR-0642L-024****	2/0 AWG - 266.8 kcmil	0.349 - 0.642	8.9 - 16.3	2	7.7	3.5	43	109.2
	CSR-0642-024	2/0 AWG - 266.8 kcmil	0.349 - 0.642	8.9 - 16.3	3	14	6.4	52.8	134.1
	CSR-0883L-024****	3/0 AWG - 477 kcmil	0.502 - 0.883	12.8 - 22.4	2	13.1	5.9	43.8	111.3
	CSR-0883-036	3/0 AWG - 477 kcmil	0.502 - 0.883	12.8 - 22.4	3	19.1	8.7	65.4	166.1
	CSR-1108L-024****	336.4 kcmil - 795 kcmil	0.684 - 1.108	17.4 - 28.1	2	14.4	6.5	43.8	111.3
	CSR-1108-040	336.4 kcmil - 795 kcmil	0.684 - 1.108	17.4 - 28.1	4	27	12.2	78.8	200.2
	CSR-1140S-048	477 kcmil - 795 kcmil	0.814 - 1.140	20.7 - 29.0	16	31.9	14.5	92	233.7
	CSR-1140FT-048	477 kcmil - 795 kcmil	0.814 - 1.140	20.7 - 29.0	20	36.3	16.5	100	254.0
	CSR-1386S-060	605.0 kcmil - 1351.5 kcmil	1.051 - 1.386	26.7 - 35.2	16	33.8	15.3	104	264.2
	CSR-1386H-060	605.0 kcmil - 1351.5 kcmil	1.051 - 1.386	26.7 - 35.2	20	38.7	17.6	112	284.5
	CSR-1386FT-060	605.0 kcmil - 1351.5 kcmil	1.051 - 1.386	26.7 - 35.2	20	38.4	17.4	112	284.5
	CSR-1631S-060	1272 kcmil - 1780 kcmil	1.345 - 1.631	34.2 - 41.4	20	37.9	17.2	112	284.5
	CSR-1631H-060	1272 kcmil - 1780 kcmil	1.345 - 1.631	34.2 - 41.4	26	45.3	20.5	124	315.0
	CSR-1631FT-060	1272 kcmil - 1780 kcmil	1.345 - 1.631	34.2 - 41.4	20	37.9	17.2	112	284.5
	CSR-1912S-060	1351.5 kcmil - 2515 kcmil	1.524 - 1.912	38.7 - 48.6	20	50	22.7	112	284.5
CSR-1912H-060	1351.5 kcmil - 2515 kcmil	1.524 - 1.912	38.7 - 48.6	26	58.0	26.3	124	315.0	
CSR-1912FT-060	1351.5 kcmil - 2515 kcmil	1.524 - 1.912	38.7 - 48.6	20	50.3	22.8	112	284.5	
FLEX-IBLE	CSF-0642-036	2/0 AWG - 266.8 kcmil	0.349 - 0.642	8.9 - 16.3	3	13	5.9	65	165.1
	CSF-0883-036	3/0 AWG - 477 kcmil	0.502 - 0.883	12.8 - 22.4	3	22	10.0	65.5	166.4
	CSF-1108-040	336.4 kcmil - 795 kcmil	0.684 - 1.108	17.4 - 28.1	4	31	14.1	79	200.7
SINGLE *	CSS-0642L-036****	2/0 AWG - 266.8 kcmil	0.349 - 0.642	8.9 - 16.3	2	9	4.1	55.6	141.2
	CSS-0642-036	2/0 AWG - 266.8 kcmil	0.349 - 0.642	8.9 - 16.3	3	12	5.4	64.8	164.6
	CSS-0883-040	3/0 AWG - 477 kcmil	0.502 - 0.883	12.8 - 22.4	3	18	8.2	69.4	176.3
	CSS-1108-048	336.4 kcmil - 795 kcmil	0.684 - 1.108	17.4 - 28.1	4	28	12.7	86.8	220.5
	CSS-1140L-036	477 kcmil - 795 kcmil	0.814 - 1.140	20.7 - 29.0	8	20.4	9.3	62.0	157.5
	CSS-1140S-DE-060-X-X	477 kcmil - 795 kcmil	0.814 - 1.140	20.7 - 29.0	16/8	TBD	TBD	95	241.3
	CSS-1140FT-DE-060-X-X	477 kcmil - 795 kcmil	0.814 - 1.140	20.7 - 29.0	20/8	43.8	19.9	99	251.5
	CSS-1140FT-040-BCT	477 kcmil - 795 kcmil	0.814 - 1.140	20.7 - 29.0	20	49.0	22.2	92	233.7
	CSS-1386L-036	605.0 kcmil - 1351.5 kcmil	1.051 - 1.386	26.7 - 35.2	10	21.6	9.8	66.0	167.6
	CSS-1386S-DE-060-X-X	605.0 kcmil - 1351.5 kcmil	1.051 - 1.386	26.7 - 35.2	16/10	44.4	20.1	97	246.4
	CSS-1386FT-DE-060-X-X	605.0 kcmil - 1351.5 kcmil	1.051 - 1.386	26.7 - 35.2	20/10	46.2	21.0	101	256.5
	CSS-1386FT-040-BCT	605.0 kcmil - 1351.5 kcmil	1.051 - 1.386	26.7 - 35.2	20	49.0	22.2	92	233.7
	CSS-1631L-048	1272 kcmil - 1780 kcmil	1.345 - 1.631	34.2 - 41.4	12	TBD	TBD	82	208.3
	CSS-1631S-DE-060-X-X	1272 kcmil - 1780 kcmil	1.345 - 1.631	34.2 - 41.4	20/12	44	20.0	103	261.6
	CSS-1631FT-DE-060-X-X	1272 kcmil - 1780 kcmil	1.345 - 1.631	34.2 - 41.4	20/12	46.5	21.1	103	261.6
	CSS-1631FT-40-BCT	1272 kcmil - 1780 kcmil	1.345 - 1.631	34.2 - 41.4	20	TBD	TBD	92	233.7
	CSS-1912L-048	1351.5 kcmil - 2515 kcmil	1.524 - 1.912	38.7 - 48.6	12	TBD	TBD	82	208.3
	CSS-1912S-DE-066-X-X	1351.5 kcmil - 2515 kcmil	1.524 - 1.912	38.7 - 48.6	20/12	62	28.1	109	276.9
	CSS-1912FT-DE-066-X-X	1351.5 kcmil - 2515 kcmil	1.524 - 1.912	38.7 - 48.6	20/12	62	28.1	109	276.9
CSS-1912FT-040-BCT	1351.5 kcmil - 2515 kcmil	1.524 - 1.912	38.7 - 48.6	20	TBD	TBD	92	233.7	

ClampStar®

DATA CHART



****		Conductor Diameter Range			*****			*****	
Frame	ClampStar Part #	ACSR Conductor Range	Inches	mm	Keeper # per side	Lbs.	kg	Inches	cm
RIGID	CSR-0325L-007-P***	#6 AWG - #2 AWG	0.162 - 0.325	4.1 - 8.3	1	1.7	.8	12.2	31.0
	CSR-0325-015	#6 AWG - #2 AWG	0.162 - 0.325	4.1 - 8.3	2	3.5	1.6	26.38	67.0
	CSR-0609-024	#2 AWG - 266.8 kcmil	0.316 - 0.609	8.0 - 15.5	2	7.7	3.5	43	109.2
	CSR-0642L-024***	2/0 AWG - 266.8 kcmil	0.349 - 0.642	8.9 - 16.3	2	7.7	3.5	43	109.2
	CSR-0642-024	2/0 AWG - 266.8 kcmil	0.349 - 0.642	8.9 - 16.3	3	14	6.4	52.8	134.1
	CSR-0883L-024***	3/0 AWG - 477 kcmil	0.502 - 0.883	12.8 - 22.4	2	13.1	5.9	43.8	111.3
	CSR-0883-036	3/0 AWG - 477 kcmil	0.502 - 0.883	12.8 - 22.4	3	19.1	8.7	65.4	166.1
	CSR-1108L-024***	336.4 kcmil - 795 kcmil	0.684 - 1.108	17.4 - 28.1	2	14.4	6.5	43.8	111.3
	CSR-1108-040	336.4 kcmil - 795 kcmil	0.684 - 1.108	17.4 - 28.1	4	27	12.2	78.8	200.2
	CSR-1140S-048	477 kcmil - 795 kcmil	0.814 - 1.140	20.7 - 29.0	16	31.9	14.5	92	233.7
	CSR-1140FT-048	477 kcmil - 795 kcmil	0.814 - 1.140	20.7 - 29.0	20	36.3	16.5	100	254.0
	CSR-1386S-060	605.0 kcmil - 1351.5 kcmil	1.051 - 1.386	26.7 - 35.2	16	33.8	15.3	104	264.2
	CSR-1386H-060	605.0 kcmil - 1351.5 kcmil	1.051 - 1.386	26.7 - 35.2	20	38.7	17.6	112	284.5
	CSR-1386FT-060	605.0 kcmil - 1351.5 kcmil	1.051 - 1.386	26.7 - 35.2	20	38.4	17.4	112	284.5
	CSR-1631S-060	1272 kcmil - 1780 kcmil	1.345 - 1.631	34.2 - 41.4	20	37.9	17.2	112	284.5
	CSR-1631H-060	1272 kcmil - 1780 kcmil	1.345 - 1.631	34.2 - 41.4	26	45.3	20.5	124	315.0
	CSR-1631FT-060	1272 kcmil - 1780 kcmil	1.345 - 1.631	34.2 - 41.4	20	37.9	17.2	112	284.5
	CSR-1912S-060	1351.5 kcmil - 2515 kcmil	1.524 - 1.912	38.7 - 48.6	20	50	22.7	112	284.5
CSR-1912H-060	1351.5 kcmil - 2515 kcmil	1.524 - 1.912	38.7 - 48.6	26	58.0	26.3	124	315.0	
CSR-1912FT-060	1351.5 kcmil - 2515 kcmil	1.524 - 1.912	38.7 - 48.6	20	50.3	22.8	112	284.5	
FLEXIBLE	CSF-0642-036	2/0 AWG - 266.8 kcmil	0.349 - 0.642	8.9 - 16.3	3	13	5.9	65	165.1
	CSF-0883-036	3/0 AWG - 477 kcmil	0.502 - 0.883	12.8 - 22.4	3	22	10.0	65.5	166.4
	CSF-1108-040	336.4 kcmil - 795 kcmil	0.684 - 1.108	17.4 - 28.1	4	31	14.1	79	200.7
SINGLE*	CSS-0642L-036***	2/0 AWG - 266.8 kcmil	0.349 - 0.642	8.9 - 16.3	2	9	4.1	55.6	141.2
	CSS-0642-036	2/0 AWG - 266.8 kcmil	0.349 - 0.642	8.9 - 16.3	3	12	5.4	64.8	164.6
	CSS-0883-040	3/0 AWG - 477 kcmil	0.502 - 0.883	12.8 - 22.4	3	18	8.2	69.4	176.3
	CSS-1108-048	336.4 kcmil - 795 kcmil	0.684 - 1.108	17.4 - 28.1	4	28	12.7	86.8	220.5
	CSS-1140L-036	477 kcmil - 795 kcmil	0.814 - 1.140	20.7 - 29.0	8	20.4	9.3	62.0	157.5
	CSS-1140S-DE-060-X-X	477 kcmil - 795 kcmil	0.814 - 1.140	20.7 - 29.0	16/8	TBD	TBD	95	241.3
	CSS-1140FT-DE-060-X-X	477 kcmil - 795 kcmil	0.814 - 1.140	20.7 - 29.0	20/8	43.8	19.9	99	251.5
	CSS-1140FT-040-BCT	477 kcmil - 795 kcmil	0.814 - 1.140	20.7 - 29.0	20	49.0	22.2	92	233.7
	CSS-1386L-036	605.0 kcmil - 1351.5 kcmil	1.051 - 1.386	26.7 - 35.2	10	21.6	9.8	66.0	167.6
	CSS-1386S-DE-060-X-X	605.0 kcmil - 1351.5 kcmil	1.051 - 1.386	26.7 - 35.2	16/10	44.4	20.1	97	246.4
	CSS-1386FT-DE-060-X-X	605.0 kcmil - 1351.5 kcmil	1.051 - 1.386	26.7 - 35.2	20/10	46.2	21.0	101	256.5
	CSS-1386FT-040-BCT	605.0 kcmil - 1351.5 kcmil	1.051 - 1.386	26.7 - 35.2	20	49.0	22.2	92	233.7
	CSS-1631L-048	1272 kcmil - 1780 kcmil	1.345 - 1.631	34.2 - 41.4	12	TBD	TBD	82	208.3
	CSS-1631S-DE-060-X-X	1272 kcmil - 1780 kcmil	1.345 - 1.631	34.2 - 41.4	20/12	44	20.0	103	261.6
	CSS-1631FT-DE-060-X-X	1272 kcmil - 1780 kcmil	1.345 - 1.631	34.2 - 41.4	20/12	46.5	21.1	103	261.6
	CSS-1631FT-040-BCT	1272 kcmil - 1780 kcmil	1.345 - 1.631	34.2 - 41.4	20	TBD	TBD	92	233.7
	CSS-1912L-048	1351.5 kcmil - 2515 kcmil	1.524 - 1.912	38.7 - 48.6	12	TBD	TBD	82	208.3
	CSS-1912S-DE-066-X-X	1351.5 kcmil - 2515 kcmil	1.524 - 1.912	38.7 - 48.6	20/12	62	28.1	109	276.9
	CSS-1912FT-DE-066-X-X	1351.5 kcmil - 2515 kcmil	1.524 - 1.912	38.7 - 48.6	20/12	62	28.1	109	276.9
CSS-1912FT-040-BCT	1351.5 kcmil - 2515 kcmil	1.524 - 1.912	38.7 - 48.6	20	TBD	TBD	92	233.7	