



Quality Tools, Equipment & Line Materials for the Energy Industry.

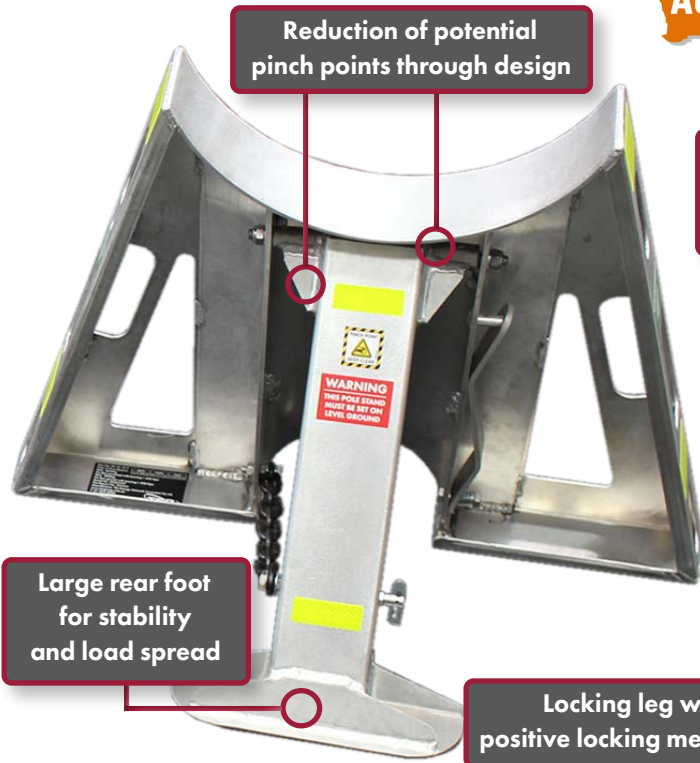


Aluminium Pole Dressing Stands

Part No. PS-AF-4T-S
PS-AF-4T-L

Ideal for Dressing Power or Utility poles at ground level. Also known as Pole Dressing Supports

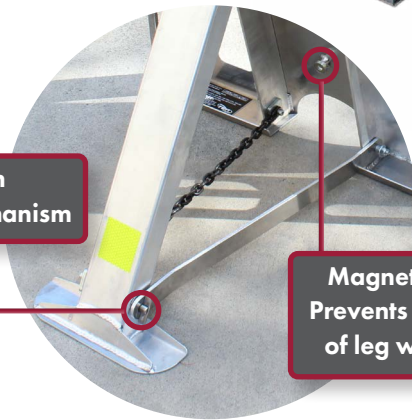
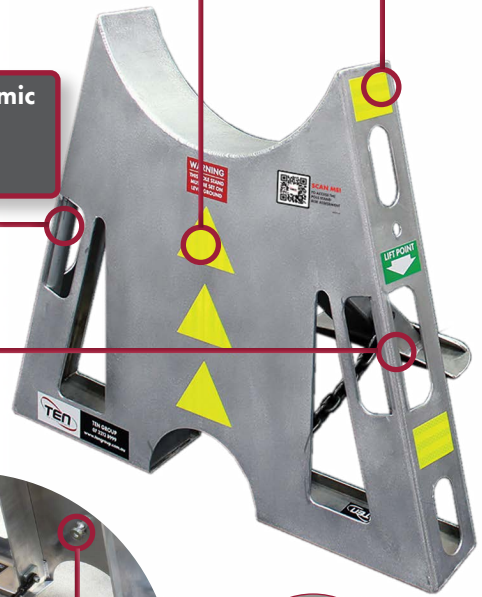
New Design with Improved Safety Features
2 Sizes Available



Day and night reflective tape for improved customer safety on public sites

Balanced and ergonomic built in handles for gloved hands

Part No. PS-AF-4T-S



Features

- Foldable for easy storage
- Brushed aluminium
- Reflective tape for improved visibility
- Position locking arm - improved stability
- All stands come with load rating tags and batch numbered
- Safer with reduced pinch points



Part No.	PS-AF-4T-S	PS-AF-4T-L
WLL (kg)	4000	4000
Height x Depth (mm)	500 x 100	850 x 100
Finish	Aluminium	Aluminium
Weight (kg)	10.4	16.2

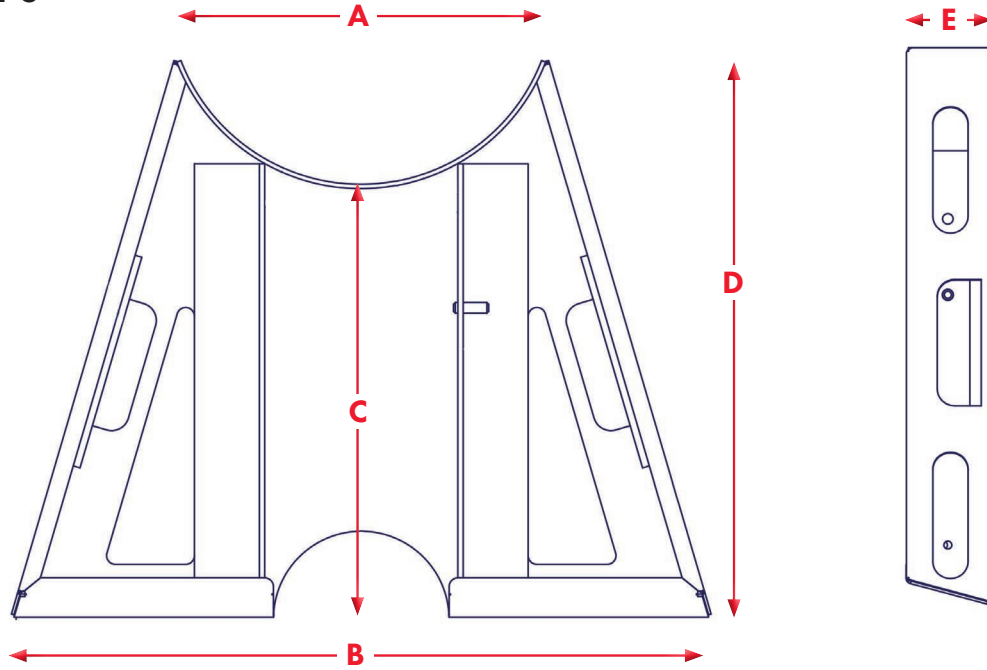


Quality Tools, Equipment & Line Materials for the Energy Industry.



Aluminium Pole Stands

Part No. PS-AF-4T-S



SCAN ME!

TO ACCESS THE
POLE STAND
RISK ASSESSMENT

RAWD168

Dimensions	PS-AF-4T-S	PS-AF-4T-L
A (mm)	420	420
B (mm)	790	820
C (mm)	500	650
D (mm)	636	1007
E (mm)	100	100

Part No. PS-AF-4T-L

