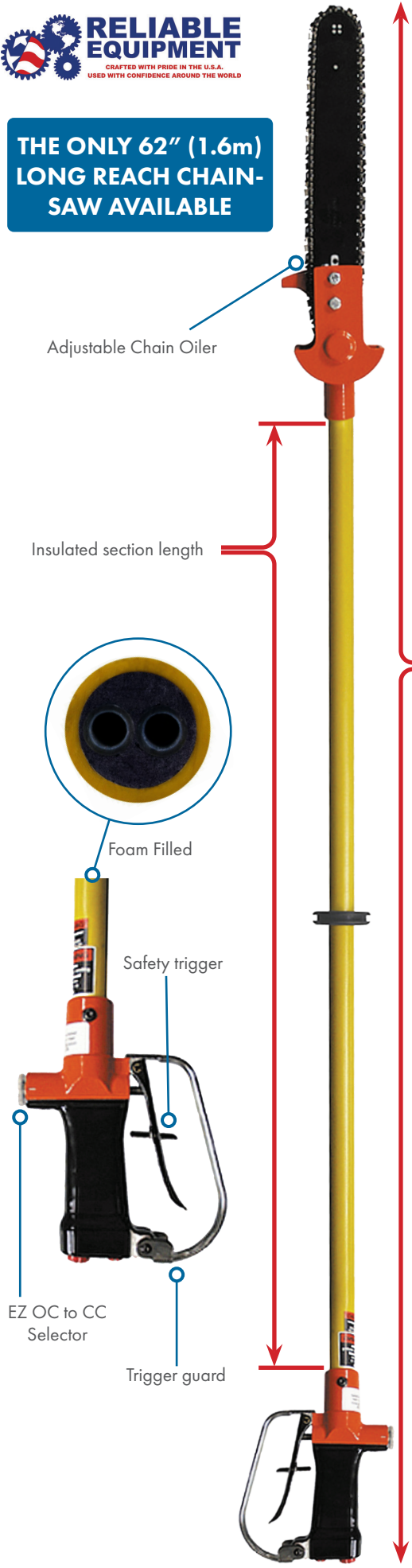




THE ONLY 62" (1.6m) LONG REACH CHAINSAW AVAILABLE



Saw, Long Reach - Foam Filled

Part No. REL-LR-Series

Reliable's REL-LR-62-TEN-A long reach hydraulic chainsaw are intended for safely cutting and trimming trees from the ground or an aerial bucket. The powerful hydraulic drive motor can easily make cuts up to 330mm in diameter. With an overall length of 1600mm (Also available 1900 & 2250mm), the operator may easily reach areas not possible with a standard chain saw. Features include a trigger guard and safety trigger to prevent accidental movement of the chain, a covered sprocket guard, and a rubber collar hand stop. A quick set spool can be turned 180 degree for closed center/open center operations.

Available in 3 Lengths

Features

- Powerful hydraulic drive motor
- EZ selector valve allows change between open and closed centre systems without tools
- Foam filled fibreglass shaft to prevent ingress of moisture and provide additional electrical safety protection
- Trigger guard, sprocket guard, rubber hand guard and scabbard
- Flush face couplers fitted

Technical Data

Part No.	REL-LR-62-TEN-A	REL-LR-75-TEN-A	REL-LR-88-TEN-A
OAL (mm)	1600	1900	2250
Insulated Section Length (mm)	845	1175	1515
Cut Capacity (mm)	330		
System	Open or Closed		
Flow Range (lpm)	19-30		
Operating Pressure (PSI)	(1,000-2,000) 68.9-137.8 Bar		
Pressure Port Thread	9/16" - 18 SAE O-Ring		
Return Port Thread	3/4" - 16 SAE O-Ring		
Chain Pitch (mm)	8.25/25.4		
Chain Gauge (mm)	1.47/25.4		
Plastic Scabbard	SCAB-PS		
Weight (kg)	3.6	4.3	5



Foam filled for added electrical safety protection

Boom Mount Long Reach Saw Scabbard also available

