



Quality Tools, Equipment & Line Materials for the Energy Industry.



## Grips - Riganti - Conductor Liner X-Ref



### Part No. Various

Riganti's self-gripping comealongs are available for aluminium, ACSR, steel earth-wire, anti-twisting rope, copper and OPGW conductors.

Made of high tensile alloy steel, hot forged, heat-treated, precision machined and zinc-plated with a complete range of interchangeable liners. This means working at lower costs on conductors of different materials and diameters only by changing the liners.

The liners are available in aluminium for aluminium or aluminium/steel conductors and bronze for copper conductors, steel anti-twisting rope and steel earth-wire.

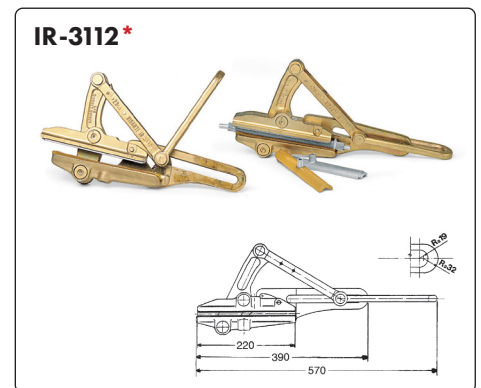
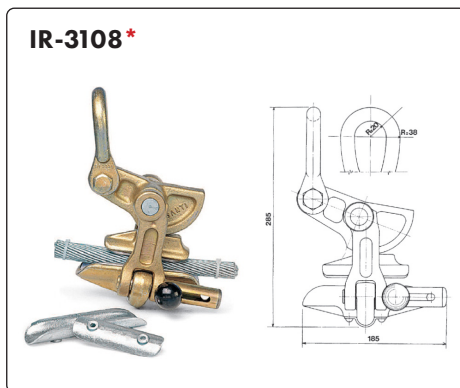
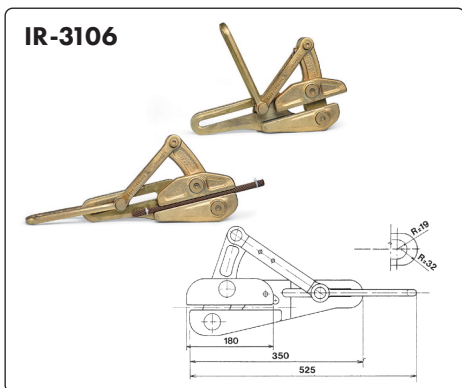
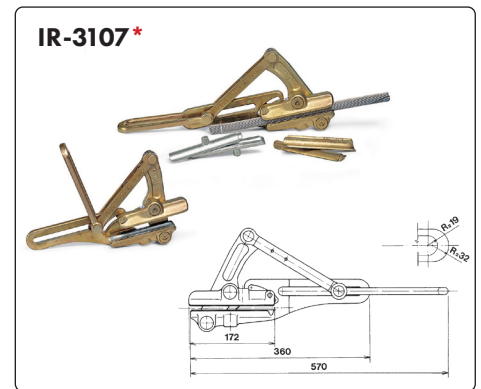
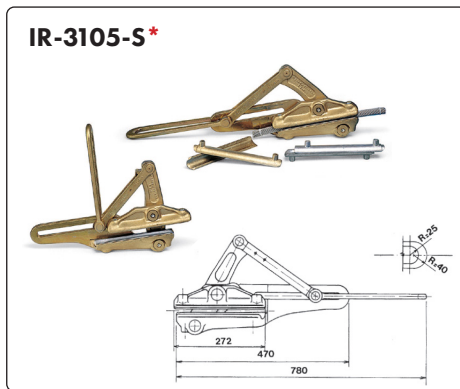
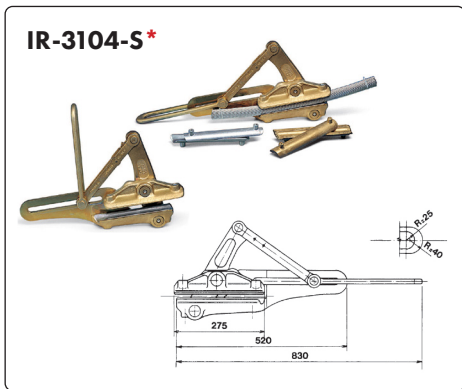
For OPGW conductor the lower liner is made of Adiprene, whereas the upper liner is made of aluminium.

All Riganti self-gripping clamps comply with European safety standard CE. Special clamps with exact diameters available on request with or without liners.



Part No.	Working Load Limit (kN)	Min Breaking Load (kN)	Interchangeable Liners	Al, ACSR & Cu		Steel, Earth wire		Anti-twist Steel Rope		Wt (kg)
				Min	Max	Min	Max	Min	Max	
				(mm)		(mm)		(mm)		
IR-3109	19.6	49	×	2.5	15	2.5	15	2.5	15	1.5
IR-3111 *	21.2	64	✓	7	16	7	13	7	13	2.5
IR-3108 *	39.5	110	✓	Lifting suspension conductors 7 - 38mm						5.5
IR-3106	50	125	×	7.5	18	7.5	18	7.5	18	7
IR-3107 *	49	180	✓	6	23	6	16	6	16	7
IR-3112 *	49	180	✓	OPGW 6 - 23mm						7
IR-3105-S *	88	275	✓	8	35.2	8	22	8	24	13.5
IR-3104-S *	117	310	✓	10	45	10	34	8	28	17

\* Exact Conductor size required for manufacture of liners





Quality Tools, Equipment & Line Materials for the Energy Industry.



### Riganti Liner X-Ref



IR-3112 Liners



IR-3105 Liners



### Liners for OPGW IR3112

Lower liner made of Adiprene and upper liner made of Aluminium.

\* Specify Conductor diameter 6.0 - 23.0mm

Part No. IR3112L\*\* - \*OP

#### Liners for IR3104-S

Min mm	Max mm	Al Part No.	Common Conductors
10.5	12.0	G4A105F	Mink
13.5	15	G4A135F	Dog
15.0	16.5	G4A150F	Coyote
16.5	18	G4A165F	Grape
18.0	19.5	G4A180F	Wolf
19.5	21.0	G4A195F	Ibis Panther Lemon
21.0	22.5	G4A210F	Lemon Hawk
22.5	24.0	G4A225F	Oxygen
24.0	25.5	G4A240F	Lime
25.5	27.0	G4A255F	Goat Triton Phosphorous Bison Tern Golf Mango
27.0	28.5	G4A270F	Tern Golf Mango
28.5	30	G4A285F	Orange
30.0	31.5	G4A300F	Olive
31.5	33.0	G4A315F	Olive Curlew Moose
33.0	34.5	G4A330F	Sulphur Paw Paw Bittern
34.5	36.0	G4A345F	Pheasant
40.5	45.0	Specify Diameter	Chukar

Liners supplied on request with conductor diameter:

For round steel wires 10.0 - 34.0mm

For square steel wires 8.0 - 28.0mm

#### Liners for IR3105-S

Min mm	Max mm	Al Part No.	Common Conductors
10.5	12.0	G5A105F	Mink
13.5	15.0	G5A135F	Dog
15.0	16.5	G5A150F	Coyote
16.5	18.0	G5A165F	Grape
18.0	19.5	G5A180F	Wolf
19.5	21.0	G5A195F	Ibis Panther Lemon
21.0	22.5	G5A210F	Lemon Hawk
22.5	24.0	G5A225F	Oxygen
24.0	25.5	G5A240F	Lime
25.5	27.0	G5A255F	Goat Triton Phosphorous Bison Tern Golf Mango
27.0	28.5	G5A270F	Mango
28.5	30.0	G5A285F	Orange
30.0	31.5	G5A300F	Olive
31.5	35.2	Specify Diameter	Olive Curlew Moose Sulphur Paw Paw Bittern Pheasant

Liners supplied on request with conductor diameter:

For round steel wires 8.0 - 22.0mm

For square steel wires 8.0 - 24.0mm

#### Liners for IR3111

Min mm	Max mm	Al Part No.	Common Conductors
10.0	11.5	G1A110F	Mink
13.0	14.5	G1A130F	Dog
14.5	16.0	G1A145F	Coyote

Liners supplied on request with conductor diameter:

For round & square steel wires 7.0 - 13.0mm

#### Liners for IR3108

Min mm	Max mm	Al Part No.	Common Conductors
7.0	11.0	G8A070F	Mink
9.0	12.0	G8A090F	Mink
12.0	16.0	G8A120F	Dog Coyote
15.0	23.0	G8A150F	Coyote Grape Wolf Ibis Panther Lemon Hawk
22.0	36.0	G8A220F	Oxygen Lime Goat Triton Phosphorous Bison Tern Golf Mango Orange Olive Curlew Moose Sulphur Paw Paw Bittern Pheasant
30.0	38.0	G8A300F	Olive Curlew Moose Sulphur Paw Paw Bittern Pheasant

#### Liners for IR3107

Min mm	Max mm	Al Part No.	Common Conductors
9.5	11.0	G7A095F	Mink
14.0	15.5	G7A140F	Dog
15.5	17.0	G7A155F	Coyote
17.0	18.5	G7A170F	Grape Wolf
18.5	20.0	G7A185F	Ibis
20.0	21.5	G7A200F	Panther Lemon
21.5	23.0	G7A215F	Hawk

Liners supplied on request with conductor diameter:

For round & square steel wires 6.0 - 16.0mm