



## Grips - Riganti

### Part No. Various

Riganti's self-gripping comealongs are available for aluminium, ACSR, steel earth-wire, anti-twisting rope, copper and OPGW conductors.

Made of high tensile alloy steel, hot forged, heat-treated, precision machined and zinc-plated with a complete range of interchangeable liners. This means working at lower costs on conductors of different materials and diameters only by changing the liners.

The liners are available in aluminium for aluminium or aluminium/steel conductors and bronze for copper conductors, steel anti-twisting rope and steel earth-wire.

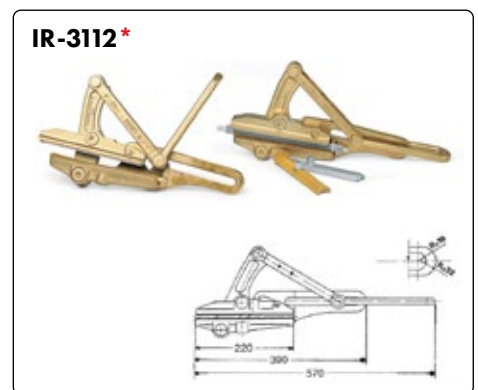
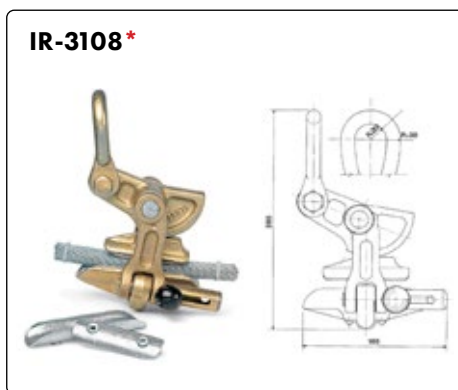
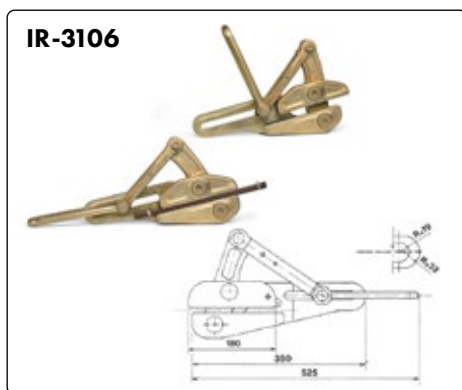
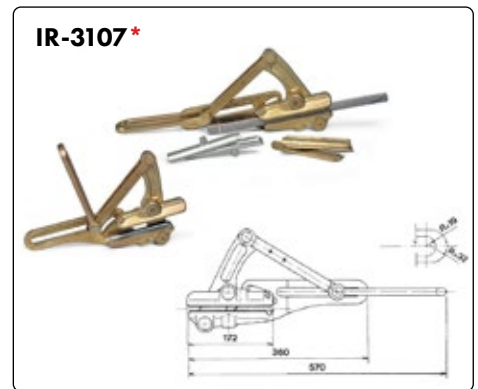
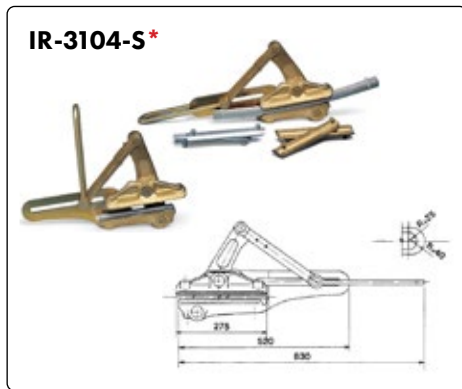
For OPGW conductor the lower liner is made of Adiprene, whereas the upper liner is made of aluminium.

All Riganti self-gripping clamps comply with European safety standard CE. Special clamps with exact diameters available on request with or without liners.



Part No.	Working Load Limit (kN)	Min Breaking Load (kN)	Interchangeable Liners	Al, ACSR & Cu		Steel, Earth wire		Anti-twist Steel Rope		Wt (kg)
				Min	Max	Min	Max	Min	Max	
				(mm)		(mm)		(mm)		
IR-3109	19.6	49	×	2.5	15	2.5	15	2.5	15	1.5
IR-3111 *	21.2	64	✓	7	16	7	13	7	13	2.5
IR-3108 *	39.5	110	✓	Lifting suspension conductors 7 - 38mm						5.5
IR-3106	50	125	×	7.5	18	7.5	18	7.5	18	7
IR-3107 *	49	180	✓	6	23	6	16	6	16	7
IR-3112 *	49	180	✓	OPGW 6 - 23mm						7
IR-3105-S *	88	275	✓	8	35.2	8	22	8	24	13.5
IR-3104-S *	117	310	✓	10	45	10	34	8	28	17

\* Exact Conductor size required for manufacture of liners





### Liners - Riganti



IR-3112 Liners



IR-3105 Liners

#### Liners for IR3104-S

Min (mm)	Max (mm)	Al Part No.	Cu Part No.
10.0	10.5	G4A100F	G4B100F
10.5	12.0	G4A105F	G4B105F
12.0	13.5	G4A120F	G4B120F
13.5	15	G4A135F	G4B135F
15.0	16.5	G4A150F	G4B150F
16.5	18	G4A165F	G4B165F
18.0	19.5	G4A180F	G4B180F
19.5	21.0	G4A195F	G4B195F
21.0	22.5	G4A210F	G4B210F
22.5	24.0	G4A225F	G4B225F
24.0	25.5	G4A240F	G4B240F
25.5	27.0	G4A255F	G4B255F
27.0	28.5	G4A270F	G4B270F
28.5	30	G4A285F	G4B285F
30.0	31.5	G4A300F	G4B300F
31.5	33.0	G4A315F	G4B315F
33.0	34.5	G4A330F	G4B330F
34.5	36.0	G4A345F	G4B345F
36.0	37.5	G4A360F	G4B360F
37.5	39.0	G4A375F	G4B375F
39.0	40.5	G4A390F	G4B390F
40.5	45.0	Specify Diameter	

#### Liners for IR3105-S

Min (mm)	Max (mm)	Al Part No.	Cu Part No.
8.0	9.0	G5A080F	G5B080F
9.0	10.5	G5A090F	G5B105F
10.5	12.0	G5A105F	G5B105F
12.0	13.5	G5A120F	G5B120F
13.5	15.0	G5A135F	G5B135F
15.0	16.5	G5A150F	G5B150F
16.5	18.0	G5A165F	G5B165F
18.0	19.5	G5A180F	G5B180F
19.5	21.0	G5A195F	G5B195F
21.0	22.5	G5A210F	G5B210F
22.5	24.0	G5A225F	G5B225F
24.0	25.5	G5A240F	G5B240F
25.5	27.0	G5A255F	G5B255F
27.0	28.5	G5A270F	G5B270F
28.5	30.0	G5A285F	G5B285F
30.0	31.5	G5A300F	G5B300F
31.5	35.2	Specify Diameter	

#### Liners for IR3107

Min (mm)	Max (mm)	Al Part No.	Cu Part No.
6.0		G7A060F	G7B060F
6.5	8.0	G7A065F	G7B065F
8.0	9.5	G7A080F	G7B080F
9.5	11.0	G7A095F	G7B095F
11.0	12.5	G7A110F	G7B110F
12.5	14.0	G7A125F	G7B125F
14.0	15.5	G7A140F	G7B140F
15.5	17.0	G7A155F	G7B155F
17.0	18.5	G7A170F	G7B170F
18.5	20.0	G7A185F	G7B185F
20.0	21.5	G7A200F	G7B200F
21.5	23.0	G7A215F	G7B215F

Liners supplied on request with conductor diameter:  
 For round steel wires 6.0 - 16.0mm  
 For square steel wires 6.0 - 16.0mm

Liners supplied on request with conductor diameter:  
 For round steel wires 8.0 - 22.0mm  
 For square steel wires 8.0 - 24.0mm

Liners supplied on request with conductor diameter:  
 For round steel wires 10.0 - 34.0mm  
 For square steel wires 8.0 - 28.0mm

#### Liners for OPGW IR3112

Lower liner made of Adiprene and upper liner made of Aluminium.

\*Specify Conductor diameter 6.0 - 23.0mm

Part No. IR3112L\*\*-\*OP

#### Liners for IR3108

Min (mm)	Max (mm)	Al Part No.
7.0	11.0	G8A070F
9.0	12.0	G8A090F
12.0	16.0	G8A120F
15.0	23.0	G8A150F
22.0	36.0	G8A220F
30.0	38.0	G8A300F

#### Liners for IR3111

Min (mm)	Max (mm)	Al Part No.	Cu Part No.
7.0	8.5	G1A070F	G1B070F
8.5	10.0	G1A085F	G1B085F
10.0	11.5	G1A110F	G1B110F
11.5	13.0	G1A115F	G1B111F
13.0	14.5	G1A130F	G1B130F
14.5	16.0	G1A145F	G1B145F

Liners supplied on request with conductor diameter:  
 For round steel wires 7.0 - 13.0mm  
 For square steel wires 7.0 - 13.0mm