



PRODUCT CATALOGUE

Rail

www.tengroup.com.au

Rail

© The Energy Network 210219



SALES • SERVICE • MANUFACTURE • HIRE

Our diversity is your solution.

Sales

TEN is your complete source for tools and construction equipment for the energy industry. We only choose to work with quality brands that deliver industry designed, tested and proven products that are fit for purpose and offer the best lifetime value for our customers. Our product range covers cable hauling and stringing equipment, hydraulic tooling, PPE and liveline equipment, earthing solutions, hand tools, test equipment, and locally manufactured canvas and PVC storage solutions. We offer our customers:

- Quality tools and equipment from innovative and market leading manufacturers
- Knowledge and industry experience to assist with equipment selection
- A diverse and extensive range of products from a single supplier

Service

TEN offers an extensive after sales service and repair capability for a wide range of low and high pressure hydraulic equipment including battery tools, line tools, hand hydraulics, jacking equipment, pumps and lifting cylinders. We also repair and refurbish all brands of pulling and lifting hoists including web strap, chain and wire rope. Our fully equipped workshops and specialist tool technicians provide:

- a high level of customer service with prompt tool turnaround
- advice on extending the life of equipment through preventative maintenance programs
- a range of testing and calibration services including torque, pressure and load testing
- manufacturer certified service, repair and refurbishment of stringing and cable hauling equipment

Hire

TEN Hire offers its customers access to the largest specialised cable hauling and stringing equipment fleet in Australia. The range includes hydraulic cable pullers (skid and trailer mounted), brake units (tensioners), puller-tensioners, capstan winches, 3 drum winders and 3 drum braking units, self loading cable trailers, drum stands, pole pullers and a large range of associated equipment such as presses and pumps, stringing rollers and swivels. TEN also offers leading operator training and competency verification to an AQTF standard.

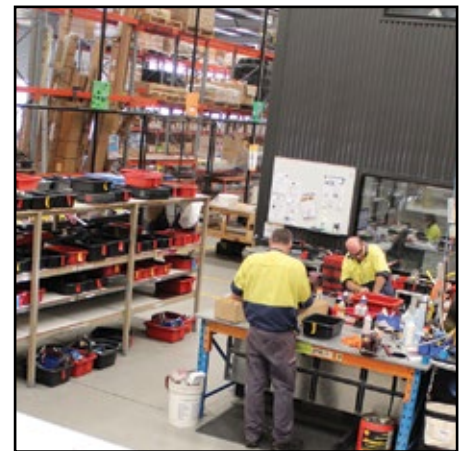
Why partner with TEN hire?

- Conserve working capital and stretch project budgets
- Be flexible in scaling up or down as your workload demands
- Use the latest technologies and innovative stringing methods to drive productivity and profitability

Manufacture and Assembly

Our manufacturing division produces high quality canvas and PVC storage solutions to carry, store and protect your valuable equipment. All products are designed for the toughest conditions and manufactured to our stringent quality requirements. Our range encompasses fibreglass stick bags, tool buckets, PPE bags, glove and sleeve bags, EWP bucket aprons and specialised storage solutions. TEN also assembles a range of low and high voltage jumpers, bonders and inline switches designed for the Australian market.

- All TEN storage solutions and assembled products are Australian Made in our premises
- We manufacture and assemble to strict quality guidelines under our ISO9001 quality management system
- TEN can custom manufacture and assemble products to meet our clients' needs.



TEN Group : Australia

The Energy Network (Australia) Pty Ltd

ABN 72 093 052 441

HEAD OFFICE - QUEENSLAND

65 Wentworth Place

BANYO QLD 4014

P|F +61 7 3212 8999 | 8998

W www.tengroup.com.au

E sales@tengroup.com.au

PULLING & HAULING

NGK Nagaki Grips and Come Alongs	4
Underground Cable Socks	5
Overhead single Soft Eye Cable Socks	5
Standard Swivels	5

PULLING & LIFTING

Tirfor	6
Rope for TFX Series Tirfor	6
Dynamometers	6
Digital Dynamometers	7
Universal Stringing Roller	7
Universal Roller Bracket	7
Ball Clevis Socket Fittings	7
Lever Hoists	8
NGK Chain Hoists & RICKY-2	8
Muletape	9
Braided Rope	9
Prima Rope	9
Telecom & Fibre Optic Rope	9
Quick Check Tension Meter	10-11

PULLING & LUBRICATION

Polywater Lubricant J	12
Polywater Front End Packs	12
Polywater Cable Pulling Software	12

SEALING & CLEANING

Polywater FST	13
Powerpatch Leak Repair Kit	13
SqueezyKleen Wipes	13

CLEANING

Polywater Rubber Goods Cleaner	14
Polywater Multipurpose Wipes - 400	14

REELS

Fixed & Detachable Reels	15
Galvanised Steel Rope	15

SAFETY & PPE

Harnesses	16
Fall Restraint - Anchor Point	16
Fall Arrestor	17
Energy Absorbing Lanyard	17
Stretchstop with Energy Absorber	17
Safety Tie Off	17
Pole Straps	17
Karabiner	17
Slings	18
Ladders	18
LV Switchboard Rescue Kits	19
HV Switchboard Rescue Kits	19
Rescue Stick-Hook	19

LIVELINE CLOTHING

Insulating Gloves - Linesmen	20
Arc Flash Lift Front Hoods	20

FIBREGLASS STICKS

Triangular Operating & Measuring Telescopic	21
Sticks with Storage Bags	21
Fixed and Telescopic Shotgun Sticks	21
Sectional Shotgun Sticks	22
Sectional Stick Kits - Example	22
Tree Trimming Kits	22
Pruning Saw	22
Sectional Sticks and Kits	23
Adaptors and Base Caps	23

CLAMP CONNECTORS

Bonding Clamps	24
Signal Cable Support Spring Rail Clips	24
Running Rail Connector	25
Running Rail Bonding Connector	25
Contact Rail Connector	26
Wedge Clamps	27

HAND TOOLS

Adjustable Wrenches	28
Ratchet Podgers	28
Plumb Hammers	29
Sledge Hammer	29
Crowbar	29
Ratcheting Cable Cutter	29
Bolt Cutters	29
ACSR Ratchet Cable Cutters	30
Plier Type Cable Strippers	31
Sheath Strippers	31
Adjustable Cable Stripper	31

INSULATED HAND TOOLS

Diagonal Cutters	32
Multigrip Pliers	32
Long Nose Pliers	32
Combination Pliers	32
Scewdrivers	32
Torque Wrenches	33
Ratchet Wrench	33
Wrench Extension	33
Shifters	33
Offset Ring Wrench	33

HYDRAULIC CUTTING TOOLS

Battery Powered Hydraulic Cutters	34
6T and 12T Battery Hydraulic Cutters	35
Battery Remote Control Hydraulic Cutter	35

HYDRAULIC MULTI TOOL

Battery Powered Hydraulic Cutting, Crimping and Punching	36
--	----

HYDRAULIC CRIMPING TOOLS

12T Battery Powered Hydraulic Crimper	37
5T Battery Powered Hydraulic Crimper	37

HYDRAULIC CRIMPING TOOLS

12 Tonne Crimping Dies	38-39
------------------------	-------

HYDRAULIC CRIMPING TOOLS cont.

60 Tonne Crimping Dies	39
100 Tonne Crimping Dies	40
13.5 Tonne Crimping Dies	40
6 Tonne Crimping Dies	41
25 Tonne Crimping Dies	41

HYDRAULIC CUTTING HEADS

Remote Hydraulic Cutting Heads	42
--------------------------------	----

HYDRAULIC TOOLS

Hydraulic Kink Remover	42
------------------------	----

HYDRAULIC DRIVE UNIT

Klauke Hydraulic Drive Unit 700 bar	43
-------------------------------------	----

HYDRAULIC PUMPS, JACKS, CYLINDERS

Hand Pump	44
Electric and Petrol Pumps	44
Ratchet Jacks	44
Toe Jacks	44
Hydraulic Steel Cylinders	44

EQUIPMENT BAGS

Water Resistant Bags	46
PVC Barrel Bag	46
Canvas Barrel Bag	46
Riggers Pouch	46
Equipment Bags	47
Earth Lead/Device Bag	47

TOOL BUCKETS

Canvas Tool Buckets	48
Glove and Sleeve Bags	48

GLOVE & SLEEVE BAGS

Canvas Glove and Sleeve Bags	49
Fibreglass Stick Bags	49

HYDRAULIC CABLE PULLERS - OH & UG

ARS200 15kN Hydraulic Puller	50
ARS403 35kN Hydraulic Puller	51

ELECTRIC CABLE PULLERS

Capstan Winch and Electric Cable Puller	52
---	----

DRUM JACKS & EARTHING

Earth Set Kit	53
---------------	----

TESTING EQUIPMENT

DC Voltmeter	54
Proximity Detector	54
Stray Voltage Detector	54
Camera Inspection Kit	55
Insulator Tester	55



COME-ALONGS/ GRIPS

NGK Nagaki Grips



- Made in Japan from Japanese materials
- Manufactured from high tensile alloy steel, hot forged, heat-treated, precision machined and zinc-plated
- Safety latch on all models
- Locking nut option on some models
- Special shaped pulling eyes suit all brands of strap pullers



2TON-W-GRIP



1TON-GRIP



2TON-L-GRIP



TROLLEY-GRIP-2-L



4TON-GRIP

Part No	Min - Max Ø	WLL	Jaw Length	Weight	Safety Latch	Suitable for Wire/ Cable	Eye Width
1TON-L-GRIP	4 - 22mm	10kN	60mm	1.1kg	Yes	Bare Cu, covered conductor & catenary wire	32mm
2TON-L-GRIP	4 - 22mm	20kN	60mm	1.3kg	Yes		32mm
2TON-W-GRIP	5 - 16mm	20kN	100mm	1.4kg	Yes	Stay wire, catenary wire, Cu wire & contact wire	32mm
3TON-GRIP	8 - 22mm	30kN	120mm	3.0kg	Yes		34mm
4TON-GRIP	13 - 28mm	40kN	150mm	5.0kg	Yes		25mm
6TON-GRIP	13 - 28mm	60kN	150mm	5.2kg	Yes		25mm
TROLLEY-L-GRIP	5 - 16mm	20kN	100mm	1.5kg	Yes		32mm
TROLLEY-GRIP-1-L*	5 - 16mm	20kN	100mm	1.5kg	Yes	Catenary wire, Cu wire, wire rope & contact wire NO BENDING ON TROLLEY	32mm
*Locking Nut Option							
TROLLEY-GRIP-2	8 - 20mm	20kN	150mm	2.8kg	Yes		25mm
TROLLEY-GRIP-2-L*	8 - 20mm	20kN	150mm	2.8kg	Yes		25mm
*Locking Nut Option							
AL-MIDDLE-GRIP	5-25mm	20kN	110mm	1.8kg	Yes	Bare Al & bare Cu	32mm

LEWIS CABLE SOCKS

Underground Cable Socks



- Coated galvanised cable, reverse weave, and a single wire bail but will not have metal shoulders
- Identified by tags beneath the heavy duty clear tubing

Part No.	Range	UTS	Length
TCS-UG06	6-13mm	8.18kN	304mm
TCS-UG13	13-19mm	9.09kN	355mm
TCS-UG19	19-32mm	26.6kN	610mm
TCS-UG31	32-51mm	33.3kN	810mm
TCS-UG50	51-70mm	60kN	965mm
TCS-UG69	70-89mm	73kN	1165mm
TCS-UG88	89-108mm	86.7kN	1320mm
TCS-UG108	108-124mm	93.4kN	1470mm
TCS-UG124	124-140mm	110kN	1625mm
TCS-UG140	140-153mm	110kN	1625mm
TCS-UG152	153-171mm	110kN	1625mm
TCS-UG171	171-203mm	110kN	1625mm

Overhead Single Soft Eye Cable Socks

- Powerful socks for pulling big conductor smoothly through pulleys
- Made of high quality flexible aircraft strand steel, integrated with a flexible eye
- Eye is composed of braided strands (rather than being rigid) to give maximum flexibility going around angle pulls or through small openings
- Sock strands are retained at the head by a stainless steel spring, eliminating rigid compression sleeve

Part No.	Range	Work Load 3:1	Approx. Break Strength	Mesh	Eye
TCS-OH05	5mm- 12mm	5.45kN	16.8kN	558mm	101mm
TCS-OH12	12mm - 22mm	10.9kN	45.4kN	1066mm	152mm
TCS-OH19	22mm - 34mm	25.9kN	127.2kN	1219mm	177mm

Standard Swivels

- Swivels for connecting pulling rope to cable sock
- For Overhead or Underground application
- Made from high tensile galvanised and corrosion protected steel
- Chamfered edges allowing smooth passing through rollers or conduit
- Special design can bear high radial loads. Thrust bearings designed to avoid torsion strain accumulation



Part No	Max Rope Size OD	Break Load	Diameter OD	Overall Length	Weight
GGT001	10mm	70kN	28mm	106mm	0.3kg
GGT010	13mm	110kN	40mm	143mm	0.9kg
GGT020	18mm	220kN	54mm	184mm	2.1kg
GGT030	24mm	360kN	60mm	234mm	3.4kg
GGT040	28mm	750kN	77mm	322mm	8.2kg





Tirfor

- Designed to stretch, pull or lift ropes, conductors or weights
- Lightweight, strong durable design and easy to operate
- Rope sold separately

Lifting Capacity	Pulling Capacity	Rope Ø	Length	Width	Break Load	Weight
8kN	12.5kN	8.3mm	530mm	284mm	48kN	6.9kg
16kN	25kN	11.5mm	558mm	315mm	96kN	13.5kg
32kN	50kN	16.3mm	680mm	360mm	192kN	23.5kg

Rope for TFX Series Tirfor

Rope Length	Rope Ø	Breaking Load
30m	8.3mm	48kN
30m	11.5mm	96kN



DYNAMOMETERS

DILLON

Dillon Mechanical Dynamometers

- Accuracy $\pm 0.5\%$ of full range
- Max hold feature
- Accurate readings from varying sight lines with fog and scratch resistant dial
- All units include calibration certificate and manual
- Corrosion resistant and supplied with carry case
- Option of 125mm or 250mm dial size

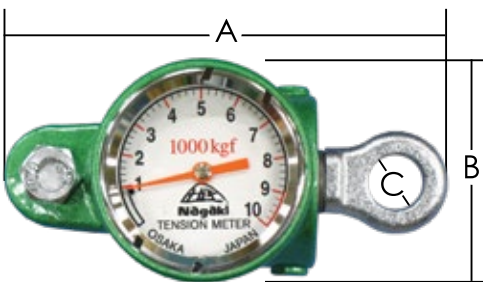
Part No	Capacity Tonne	Kg Division	Ultimate Safety Factor
125mm Dial			
30006-0134	0.5T	5	5:1
30006-0159	1.0T	10	5:1
30006-0126	2.0T	20	5:1
30006-0167	4.0T	25	5:1

NGK Dynamometers

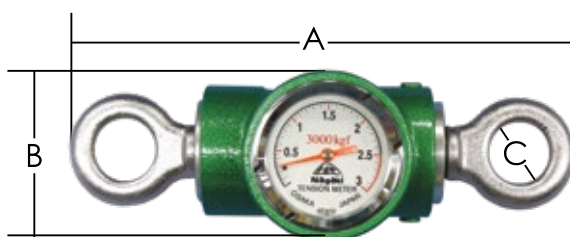
NGK Dynamometers are lightweight, compact and plated to resist corrosion. All models feature a large face dial for easily reading measurements.

- Precise measurement of tension and loads
- Kilogram/force (kN) large face dial display
- Accuracy $\pm 3\%$
- Plated to resist corrosion

NGAKI



A-10 Model



A-30 Model

Part No	Capacity	Graduation (Gauge Increments)	Dimensions			Wt
			A	B	C	
A-10	10kN/1T	200N/20kg	135mm	65mm	28mm	0.8kg
A-20	20kN/2T	500N/50kg	135mm	65mm	28mm	1.2kg
A-30	30kN/3T	500N/50kg	150mm	80mm	28mm	2kg
A-50	50kN/5T	1kN/100kg	260mm	95mm	28mm	3kg

Used to measure tension in cables and conductors, the NGK tension meter features two pulling eyes, connected to an analog indicator. This allows the user to accurately monitor tension and adjust equipment and loads accordingly.



EDJR-2T

EDX-10T

Dillon Digital Dynamometers

Part No: EDJR Series

- Accuracy 0.2% of capacity
- Soft key interface with programmable functions
- Rounded edges prevent binding or snagging
- Corrosion resistant and supplied with carry case

DILLON

Part No: EDX Series

- Accuracy 0.1% under 50,000kg, 0.3% over 75,000kg

Part No (0.2% Accuracy)	Capacity
EDJR-1T	1T
EDJR-2T	2T
EDJR-5T	5T
	10T

**IP55 designed
for weather and
water resistance**

OVERHEAD ROLLERS

Universal Stringing Roller

Part No: SPP-1A

- Suitable for distribution and ABC
- Aluminium sheave
- Lightweight high strength heat treated aluminium
- Versatile attachment fittings include side and bottom tags and top ball socket fitting
- Side gate latch can be locked open
- Sheave is profile machined permitting precise sagging of conductor
- High quality permanently lubricated high temperature precision bearings

Maximum OD Conductor	WLL	Weight	Bottom of Groove Diameter	Overall Height	Overall Width
50mm	1130kg	4kg	110mm	370mm	205mm

Universal Roller Bracket - Suits SPP-1A

Part No: SPP-1A-BKT

- Versatile mounting bracket for crossarms and poles
- Frame made from Cast Aluminium
- Lightweight, easy to install
- Heavy Duty Strap and Zinc Plated Ratchet Assembly
- 3 Mounting holes for various configurations
- Ball pin to secure roller

Min Cross Arm Size	Suit Poles OD	WLL	Weight
100 x 100mm	200-470mm	600kg	2kg

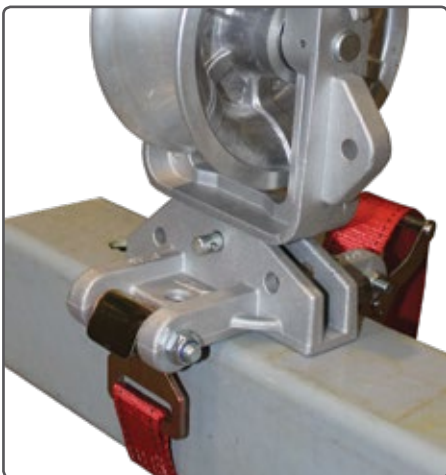
SPP-1A Roller sold separately to
SPP-1A-BKT Roller Bracket

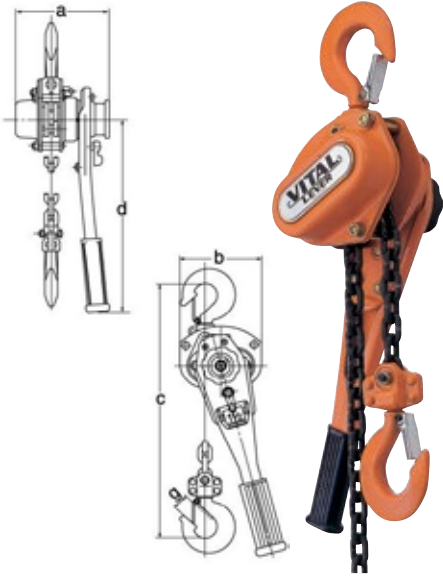
Ball Clevis Socket Fittings



Part No	SPP-1-UC	SPP-1-OE	SPP-1-SH	SPP-1-YC
Description	Ball Clevis	Oval Eye Ball	Safety Hook	Y Ball Celvis
WLL (kN)	70	70	70	70
Weight (kg)	0.55	0.4	0.55	0.85

**Ductile
Iron Sheaves
Available on
Request**





HOISTS

Vital Lever Hoists

- Manufactured in Japan using optimum high quality steel which conforms to the strict JIS & ISO regulations
- All Vital models are manufactured to comply with AS1418.2
- All Vital lever blocks are supplied with **overload protection** for added security of use (excluding 250kg and 500kg models)
- Unique design of bottom hook prevents slipping and ensures safe operation
- Easy two-step operation to prevent accidental free-wheeling
- Hardened alloy steel load chain with embossed identification, marked as to the relevant standards
- Load Chain Exceeds Australian Standards with 5:1 Safety Factor
- The Vital VLB series are suitable for all lifting applications



Part No	Rated Capacity (Tonnes)	Standard Lift Height*	Pull to Lift Load	Dimensions (mm)					No. Chain Falls	Weight
				A	B	D	G	C		
VLB115L	1.6T	1.5m	18kg	163	148	370	34	355	1	9.7kg
VLB130L	3.2T		38kg	191	181	370	43	405	1	16.3kg
VLB160L	6.3T		39kg	191	244	370	47	550	2	26.7kg

*Other lengths up to 6m available

Manufactured to AS1418-2

Vital Chain hoists are suitable for pulling and lifting applications

NGK Chain Hoists

- Lightweight aluminium housing with 5mm diameter alloy chain link and forged hooks
- 360° rotating handle of 430mm length
- Safety hook attachment
- Special length chains available on request



Part No.	Attachment Style	Chain Dia.	Lift		WLL	Handle Length	Wt
			Min	Max			
MODEL 6000	Bolted Clevis	5mm	650mm	2250mm	60kN/6T	430mm	19kg



Part No: RICKY-2

- 5mm diameter alloy chain link
- 1.5m pull
- 360° rotating handle of 230mm length
- Safety hook attachment
- All models certified to ISO9001 and ISO14001 standards

Part No.	Pull	Lift		WLL	Handle Length	Wt
		Min	Max			
RICKY-2	1.5m	300mm	1800mm	7.5kN/1.5T	230mm	5kg

NGK chain hoists suitable for pulling, tensioning and securing applications



Muletape

- Ideal for fibre optic and power cables in underground conduit
- Silicon coated, flat surface prevents conduit cutting
- Blow or rod then haul cables back, saving time and money over pilot roping
- Durably printed with sequential metre markings
- Available in a variety of pulling strengths from 818-2727kg UTS
- Low elongation for enhanced worker safety
- Lightweight and easily blown into conduit
- Easily spliced using conventional methods or the MULEKNOT™



Part No	Model No.	Length of reel	Breaking Load (kg)	Typical Bowline BL (kg)	Typical Muleknot BL (kg)	Width (mm)	Best Use
27025	WP1800P	900m	818	377	636	15.8mm	Fibre
34687	WP2500P	1000m	1136	591	818	19.0mm	Fibre/Light Power
53202	RP6000P	1000m	2727	1400	2273	19.0mm	Power

ROPE

Titan Braid Rope

- Manufactured with a braided polyester cover over a braided nylon core
- Ideal for use as winch or /and tow lines and for setting underground cable



Characteristics

- High strength
- High UV resistance
- Abrasion resistant
- Shock absorption
- Splicable
- Flexible

Applications

- Winch lines
- Tow lines
- Rigging lines

- Pulling and stringing line
- Bull Rope (Titan-Braid™ Coated)



More sizes available
Contact TEN

Part No	OD	Weight kg/100m	Avg Tensile Strength in kg	Minimum Tensile Strength in kg
26127-*	12.7mm	11kg	4,500kg	3,825kg
26143-*	14.3mm	15kg	6,350kg	5,395kg
26191-*	19.1mm	23kg	8,340kg	7,090kg
26222-*	22.2mm	33kg	12,150kg	10,325kg



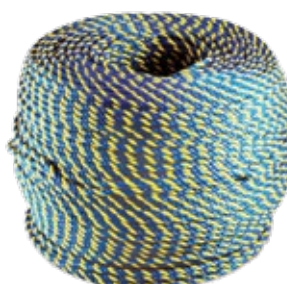
Prima Rope

- "Prima" is a 12 Strand UHMwPE rope, made by Hampidjan Baltic using fibers manufactured by DSM (The manufacturer of Dyneema).
- Available in sizes from 6mm up to 60mm diameter
- High UV resistance and excellent resistance to chemicals
- Maximum Breaking Load 4 to 302.5 metric Tonnes

HAMPIÐJAN

Telecommunications & Fibre Optic Rope

- 6mm in diameter with 2 Blue and 1 Yellow strand
- Tangle free uncoiling to coil end, no waste



Part No	OD	Length	Colour	Break Force
ROS0614	6mm	400m	Blue/Yellow	602kg
ROS0652	6mm	500m		

DILLON



TENSION METER

Dillon Quick-Check Tension Meter

Part No: AWT05-508111

The Dillon Quick-Check Tension Meter quickly measures tension in cable guardrails, guy lines and overhead wires. It installs, measures and removes in seconds. The digital loadcell is highly accurate and requires no lookup or correction tables.

- Store wire rope readings and export data (Ideal for tower data collection)
- Time saving check-tensioning mode
- Portable and rugged – designed for outdoor use
- Built-in averaging saves time and eliminates errors
- Factory calibrated for up to 20 unique wire sizes and types

Specifications

Tension Capacities	10 kN/1000 kg or 45 kN/4500 kg
Wire Sizes	4.75 mm through 25.4 mm
Accuracy	+ 3% instrument capacity (calibrated to specific wire size and type)
Loading Error	Cable elongation of only 2mm
Display	Dot-graphic LCD display supports full text and 25mm high digits
Sheave Range	Each set accommodates rated wire size and 12mm smaller. Multiple sheave sets may be used.
Suggested Wire Calibrations	Calibrate each wire diameter needed with the most appropriate sheaves. If two wire types are used of different diameters (e.g. 17-2.75 & 19-2.00), calibrate each type independently.
Environment Protection	Suitable for continued outdoor use
Operating Range	-20° C to 70° C
Tension Units Of Measure	Pound-force, Kilogram force, Newtons
Resolution	Configurable low/med/high
Size	250 x 590 x 80 mm
Weight	Approx 5 kg
Recalibration	At user discretion. Commonly 12-24 months; should be more frequent with heavy use.
Approvals	CE

The fastest cable tension meter

- Tower and stack guy wires
 - Cable barriers
- Overhead transit wires
 - Public Utilities
 - Fall arrest
 - Aircraft cables



RS-232 port



Carry case included

The Fastest Cable Tension Meter

The Dillon Quick-Check can be placed on a cable, measure its tension, and removed in under five seconds! There are no complex lookup tables, no conversion charts. The operator can quickly select from 20 different wire sizes and types stored in Quick-Check's memory. The Check-Tensioning mode graphically displays the current and target tensions for extremely quick setting of line tension. Even the infrequent battery changes are quick.

Broad Application

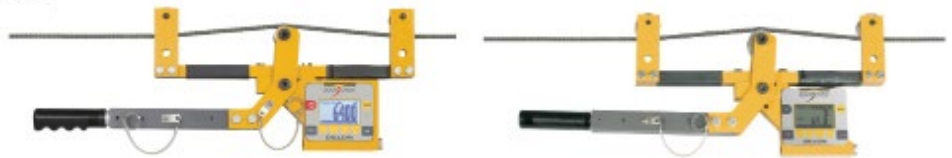
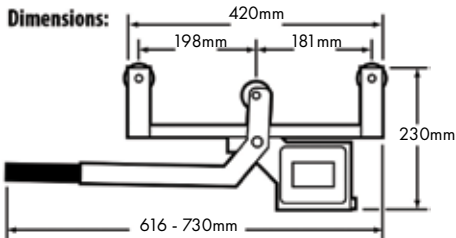
The Quick-Check can be employed in any industries to ensure proper tensioning. Typical applications include tower and stack guy wires, pretensioned cable barriers, bridges, elevators, winch rope, overhead electric transit wires, fall arrest systems, aircraft cables and utilities.



TENSION METER



- Sheaves with bearings eliminate friction and provide the best accuracy
- Accommodates a wide range of wire sizes and styles
- Telescoping handle engages meter quickly with minimal effort
- Highly visible yellow finish
- Easy to read backlit display with full-text prompts
- RS-232 Port
- Easy to use soft-key interface
- Uses popular AA batteries and has long life between changes



	Quick-Check Red	Quick-Check
Industries	Tower and stack guy wires, cable barriers, overhead transit wires, bridges, fall arrest, stage support, aircraft cables and public utilities	
Capacities	1,000 kg or 4,500 kg	
Rope Calibrations	Up to 20 (must be specified at time of order)	Up to 15 (must be specified at time of order)
Cable Diameter Range	4.75mm to 25.4mm	
Display	Informative Display: Shows: Unit, Wire Type, Sheave & Battery	Shows: Unit, Wire Type & Battery
Date and Time	Included	No
Calibration Reminder	Included (setup by distributor)	No
AZT (Automatic Zero Tracking) & Filtering	Configurable AZT and Filtering	Fixed
RS-232 Port	4-Pin Lemo RS-232 output	No
Carry Case	Included	Optional
Enclosure	Suitable for continuous outdoor use	
Units of Measure	Lbf, kgf and Newtons	
Temperature Range	-20° C to 70° C	-20° C to 60° C
Backlight	Included (configurable intensity and timer)	No
Power	2 - AA Batteries	
Battery Life - Tested with backlight off	10Hz = over 250 hrs continuous 100Hz = over 100 hrs continuous	N/A
Accuracy	3% Full Scale	
User's Manual	Included, CD	
Pass/Fail Tensioning Mode	Yes	
Warranty	2 Years	
Weight	5kgs	
Tower Mode	Stores wire rope readings to be exported later (Stores each Leg and Wire)	No
Quick-Check Calibrated to most popular Cell Tower Guy Wires	Yes, now available as a new P/N, see price sheet for details	No



Polywater Lubricant J
J-640 18.9L

J-35 950ml
Squeeze Bottle

CABLE LUBRICANT

Polywater Lubricant J

- High performance cable lubricant for heavy cable installations
- Maximum Friction Reduction
- High Cling Factor
- *Compatible with all common Australian cables
- Temperature Stable
- Non-Combustible Residue

Part No	Description
J-640	18.9L Drum
J-110	1.9L Front End Pack
J-99	950ml Front End Pack
J-35	950ml Squeeze Bottle



- Specification Grade "J" - The lubricant contain no waxes, greases, silicones, or polyalkylene glycol oils
- Application System available in 'Front End Packs'
- Complete cleanup is possible with water

J-110 76mm diameter x 36mm long - used in 89mm and larger conduit

J-99 44mm diameter x 60mm long - used in 50mm and 76mm conduit



Polywater® Front End Packs lubricate ahead of the cable during the pull



Front End Pack™

is a conduit-sized polyethylene bag of lubricant. The Front End Pack™ travels through the conduit on the winch line prelubricating the conduit ahead of the cable being pulled.

ALSO AVAILABLE:
A program for cable pulling tension calculation and conduit system design

Consult your TEN Group Sales Representative on Polywater lubricants and the Pull-Planner software for your cable pulls



Polywater Cable Pulling Software

Pulling Wire and Cables the Right Way is Critical

Make the right decision on cable pull direction. The Pull-Planner 4.0 easily shows optimal pull direction. It helps eliminate splices, plan for future system upgrades, and reduce the chances of cable damage. An excellent tool for cable system specification.

Achieve Longer Pulls by Keeping Tension Low

Pull-Planner™ 4.0 for Windows® calculates cable pulling tension and sidewall pressure around bends using the pulling equations. The Pull-Planner 4.0 also utilizes industry standards to calculate maximum pulling tension and conduit fill.

Plan conduit systems prior to the pull.

Pull-Planner 4.0 Report													
Pull Description: Pull Example Pull Filename: Pull-Planner Flyer Printout 10-11-17.xpl Conduit ID: 4 Inch(es) Conduit Fill: 27% Total of 3 cable(s) of 1 different type(s) being pulled. Type #1 3 Cable(s) O.D. of 1.2 inch(es) weight of 1.105 lbs/ft Total cable weight: 3.315 lbs/ft Calculated weight correction factor: 1.24 Configuration: Cradled Jam/Clearance Analysis: Jamming Not Probable Incoming Tension: 300 lbs Pull COF: 0.1						Polywater® LZ with Jacket: LLDPE and Conduit: Rigid Steel Pull Detail Summary Total (Cumulative) Bend: 315 degrees Total Length including Bends: 824 feet Conduit Fill 27 % Total Cable Weight: 3.3 lbs per foot Conduit Condition: Poor Recommended Quantity : 9 Gallons Lubricant Notes Lubricant Best COF Value: 0.100 Un-Lubricated COF Value: 0.450 * Additional lubricant in recommended quantity based on long pull length. * Additional lubricant in recommended quantity based on total degree of bend. * Additional lubricant in recommended quantity based on conduit condition.							
Seg #	Straight Section Slope (°)	Slope Direction	Straight Section Length (ft)	Straight Section COF	Tension (lbs)	Bend Type	Bend Direction	Bend Radius (ft)	Bend Angle (°)	Bend Length (ft)	Bend COF	Tension (lbs)	Sidewall Pressure (lbs/ft)
1	90.0	Down	8.0	0.1	273.48	Vertical Up	Down	3.00	90.0	4.7	0.1	320.00	61.00
2	—	—	200.00	0.1	402.21	Horizontal	—	3.00	45.0	2.4	0.1	443.00	85.00
3	—	—	500.00	0.1	648.53	Horizontal	—	3.00	90.0	4.7	0.1	788.00	151.00
4	—	—	100.00	0.1	829.11	Vertical Up	Up	3.00	90.0	4.7	0.1	1017.00	194.00



REPAIR ACTIVE LEAKS

TOOL-50-11
PURCHASED SEPERATELY



Polywater FST - Foam Duct Sealant

FST™ Duct Seal is a “closed cell foam”, which is superior to “open cell” spray canned foams. The kit contains a cartridge filled with a two-part foam base, which is mixed in equal parts as it is pushed through a mixing nozzle. When mixed and injected, the foam expands and hardens, keeping water, acids, greases, gases, insects, and rodents, etc., out of the conduit. The foam has good wetting and adhesion to metals, plastics, and concrete.

Product Benefits

- Seal water, dirt, oil, gases, rodents, or other contaminants out of conduit/duct
- Cured foam is strong, resilient and chemically resistant
- Can hold 5m water-head pressure over an extended period
- Two-part foam is mixed in nozzle as it is injected - no mixing required
- Cured foam is semi-permanent and can be removed
- No known effects on common cables

Part No	Description
FST-250KIT	1 x 240g two-part Foam Sealant caulking tube style with resealing cap 3 x Mixing nozzles 4 x 600m Foam damming strips 1 x Pair Disposable gloves 1 x Position rod 1 x Pre-treating wipe Instruction Sheet



PowerPatch® Leak Repair Kit

Part No: EPCT-KIT1 + TOOL-50-11

PowerPatch® quickly makes durable repairs of transformer oil and SF₆ gas leaks as an economical and effective means to protect essential electrical grid assets. PowerPatch field repairs reduce costly unplanned outages and risks to the environment.

The PowerPatch® Sealant is provided in a kit containing the surface preparation and patching materials necessary to repair oil leaks in transformers, SF₆ Gas, lead-sheathed cables, potheads and other oil-filled electrical equipment.

- **Quick plugging action** - A fast-cure putty that stops oil seepage without shutting down
- **Permanent seal** - A 2-part UV resistant paste overcoat that forms a permanent seal
- **Durable** - Finished seal is impervious to water, oil and weather
- **Fast** - System can plug and seal active leaks in minutes
- **High Adhesion** - Adheres to numerous types of metals, porcelain, and rubber materials
- **Chemically Inert** - Will not affect oils, solid insulation, or other equipment
- **Saves money** - Faster than welding.
Transformer may stay in service
- **Simple** - Eliminates “bagging” or removal from field and unexpected outages
- **Convenient** - Kit contains all materials needed to fix leak while in the field

Part No	Description
EPCT-KIT1	2 x PowerPatch® 2-Part Cartridges with 4 static mixers 2 x Putty sticks 8 x Type TR™ cleaning and preparation wipes 1 x 600mm sandpaper strip 4 x application sticks, and instructions

SqueekyKleen

SqueekyKleen cleans and fans fiber in two wipes, saving time and money.

Part No	Description	Quantity/Pack
TC-1	Individual packed saturated wipe	144/box



Rubber Goods Cleaner

Polywater Rubber Goods Cleaner is a specially formulated water-based cleaner for removing grease, dirt, carbon, creosote, and other grimes from insulating blankets, lineman's gloves, rubber sleeves, jumper cables, hot jumpers, and line-hose. It is safe for use on all natural and synthetic rubbers. Unlike other water-based rubber cleaners Polywater Rubber Goods Cleaner contains no hazardous ingredients and is pH neutral, making it safe for use on skin. It is also completely biodegradable and safe for the environment.

Product Features

- No mixing required
- Excellent cleaning power
- Harmless to all elastomers (rubbers)
- Multiple package options
- Environmentally friendly
- Non-toxic and non-corrosive

Rubber Goods Cleaner contains no hazardous ingredients and is pH neutral

Part No	Description
RBG-1	Individual Sachet
RBG-D72	Dispenser of 72 saturated wipes
RBG-35LR	950ml Bottle with sprayer
RBG-128	3.8L Bottle
RBG-640	18.9L Drum



Polywater Multipurpose Cleaner

Type HP™ Cleaner effectively cleans semiconducting cable shield, corrosion inhibiting compound, silicone greases, filling gels, transformer oils and many other contaminants found in electrical construction and maintenance. It evaporates with no residue. Type HP™ is non-conductive.

Type HP™ Cleaner replaces ozone-depleting CFC's, trichloroethane and other carcinogenic chlorinated solvents. Type HP™ Cleaner lasts longer than fast evaporating solvents and is compatible with most materials and plastics, including polycarbonate.

Type HP™ Cleaner is available in multiple package options. Bulk Type HP™ Cleaner is an excellent choice for soaking or rinsing parts. Pre-saturated towels limit solvent exposure and eliminate spill hazard. Depending on end use, Type HP™ Cleaner has the optimal package available.

Benefits

- One cleaner for all your electrical and communications cleaning needs.
- Presaturated - eliminating spill hazards and limits vapour exposure.
- Contains no CFC's, HCFC'S, chlorinated solvents, perchloroethylene, or other ozone-depleting solvents - Ideal for underground or confined space applications.
- Harmless to most plastics, including polycarbonate, ABS and polyethylene
- No residue, non-conductive, non-corrosive, non-freezing, non-staining to metals
- Removes residues that can cause poor operation of electrical equipment
- Suitable replacement for chlorinated electrical cleaners, cable cleaners, contact cleaners, and spray degreasers

Part No	Description
HP-D400AU	400-Count Wipe Canister
HP-D72	Dispenser of 72 saturated wipes
HP-35LF	950ml Bottle with flip top

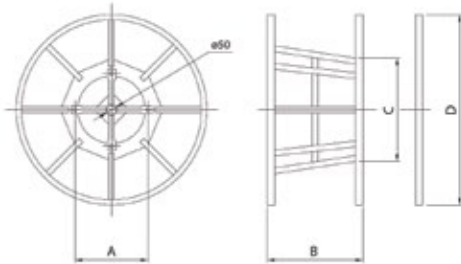


- Reels are made of welded steel with a protective coating
- Each reel is provided with two cross supports and connecting bolts

Standard Reels (Fixed)

Part No: BOF

Part No	Dimensions (mm)				Weight
	A	B	C	D	
BOF010	420	560	570	1100	53kg
BOF020	420	560	570	1400	73kg
BOF030	420	560	570	1900	135kg
BOF330	420	1560	1010	2200	1000kg



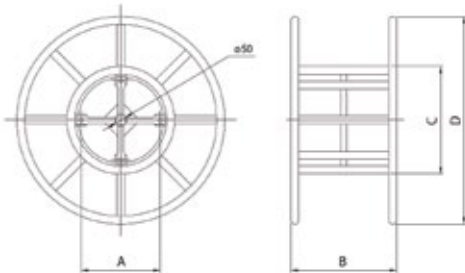
Detachable Reels

Part No: BOC

- A detachable side and the conical drum facilitate removal of rope or conductor coil



Part No	Dimensions (mm)				Weight
	A	B	C	D	
BOC040	420	560	590	1100	72kg
BOC050	420	560	590	1400	86kg
BOC310	420	890	626	1900	210kg
BOC320	420	1310	605	2050	250kg



Galvanised Steel Rope

Part No: FUX

Anti-twist braided galvanised steel rope, made of braiding strands.

- High flexibility
- Complete stability to rotation
- Strands with individual galvanised elementary wires

Part No	Nominal Diameter	Supplied with Spliced Eyes	Indicative Lubricated Mass Rope*	Breaking Load	Standard Length**
FUX006	6mm	ALF001	0.11kg/m	22kN	1800-3600m
FUX008	8mm	ALF001	0.22kg/m	42kN	1600m
FUX010	10mm	ALF001	0.35kg/m	68kN	1200m
FUX013	13mm	ALF002	0.55kg/m	105kN	800-1600m
FUX016	16mm	ALF002	0.84kg/m	160kN	900m
FUX018	18mm	ALF002	1.21kg/m	225kN	800m
FUX020	20mm	ALF003	1.24kg/m	265kN	1000m
FUX022	22mm	ALF003	1.52kg/m	320kN	900m
FUX024	24mm	ALF003	1.76kg/m	375kN	800m
FUX026	26mm	ALF003	1.98kg/m	409kN	700m
FUX028	28mm	ALF003	2.33kg/m	479kN	600m



* Due to production variations, linear mass may change

** Rope is available in longer continuous sections, without connectors, up to 7,000m



**Huge Range Available
Contact TEN**

HEIGHT SAFETY EQUIPMENT

Miller Aircore Harnesses

- Lightweight components specifically chosen to reduce fatigue for all-day endurance and increased productivity
- Corrosion-resistant and longer lasting aluminium hardware
- Quick operating cam buckles on the shoulder straps make vertical webbing adjustment easier
- Quick-connect leg and chest buckles for fitting/removing harness
- Heavy duty 18kN chest buckle for extra security
- Aluminium frontal D-ring and rear fall arrest D-ring with fall indicator
- Work positioning side D-rings for working with pole straps
- Equipped w/ confined space webbing loops for attachment to spreader frame

Size	TOWER WORKER SOFT LOOPS HARNESS
S	M1020227
M-L	M1020228
XL-XXL	M1020229
Weight	2.7kg
Applications	Tower work, Ladder work, Pole top, Line workers
Standards	Certified to Australian and New Zealand Standards AS/NZS 1891.1 - 2007

Harnesses



Harnesses		Construction & Maintenance	Roof Work	Tower Climbing	Order Pickers	Ladder Safety Systems	Confined Space	Elevated Work Platforms	Warehousing	Tree Pruning	Work Positioning	Static Line Systems	Fall Arrest (Back Top)	Positioning (Side)	Confined Space (Top Sides)	Frontal (Front)	
Description	Part No	Industry Application											Features				
Revolution Tower	M1020056	✓		✓		✓	✓				✓	✓	✓	✓	✓	✓	✓
Revolution Vest Style	M1020008	✓	✓	✓	✓	✓		✓	✓			✓	✓		✓	✓	✓
Line Worker	ELITE.2			✓				✓			✓		✓	✓			✓
Tower Harness	TOWER WORKER			✓		✓	✓	✓		✓	✓		✓	✓	✓	✓	✓



Fall Restraint/Anchor Point

Part No: 3861

- Lightweight anchor point
- Ideal for work from ladders or platforms
- Provides isolation from potential electrical hazards
- U-Bolt for lanyard connection
- Foam filled fibreglass shaft with cast aluminium pole bracket
- For wood, concrete or steel poles

UTS	Fibreglass Shaft	Nylon Strap length	Weight
2,265kg	150mm	1.1m	4.5kg

HEIGHT SAFETY EQUIPMENT

Fall Arrestor



1011742

- Unique side payout reduces entry guide and cable wear
- No annual factory re-certification lowers costs and downtime

- Load indicating hook identifies unit removal from service
- 4.5mm x 10m galvanised steel cable, 1200daN min break, 17mm opening

Part No	Length	Weight
1011742	10m	5kg

Manyard, Energy Absorbing Lanyard



M1010024

- Contracts from 1.8m to 1.2m to reduce tripping, snagging or dragging
- Specially woven shock absorbing inner core reduces fall forces
- No energy absorber "pack" makes it more comfortable to use

- Heavy duty tubular outer sleeve serves as a back up lanyard
- Unique warning flag provides visual proof of a sustained fall
- Grid label allows easy recording of inspection dates

Part No	Length	Hooks	Weight
M1010024	2m	2 x 19mm	1kg

Lanyard, Stretchstop with Energy Absorber



L11SEC1.5

- Elastic inner core contains the unextended length of webbing
- Integral compact energy absorber
- Outer load bearing tubular polyester webbing gives strength and durability
- Available in a variety of lengths and hook options

Part No	Length	Hooks	Webbing	Weight
L11SEC1.5	1.5m	2 x 19mm	Single	0.5kg

Safety Tie Off



ME10091.6

- Quick and easy set up of temporary anchorage
- 1m strap with dee ring one end and reversed eye the other
- Protective sleeve prevents webbing wear

Part No	Length	Hooks	Weight
ME10091.6	1m	Dee Ring/ Reversed Eye	0.5kg

Pole Straps



136.1S

- Fitted with an adjuster to easily adjust working length
- Protective sleeve lengthens life of webbing
- Double acting 19mm opening hooks at each end
- 138.1S-SP features 1 x double action hook, 1 x triple action karabiner

Part No	Length	Weight
136.1S	1.8m	3kg
138.1S-SP	2.4m	3kg
138.1S	2.4m	3kg
139.1S	2.7m	3kg

Karabiner



91326








- Industry karabiners for industrial purposes

Part No	Description	Rating	Specification
91326	Karabiner	30kN	Triple Acting, 14mm Opening, Captive D, Forged Steel

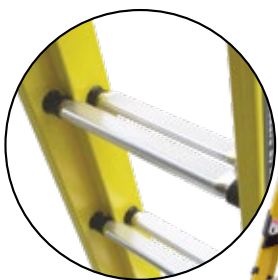
SLINGS

Round & Flat Lifting Slings

- Round slings to AS4497
- Flat slings to AS1353

										
				Loading Factor	1.0	0.8	2.0	1.7	1.4	1.0
				Lift Mode	Vertical	Choke	Basket	60°	90°	120°
Round Sling Part No	* Standard lengths (m)	Flat Sling Part No	* Standard lengths (m)	Sling Colour	WLL (Tonnes)					
SLR1-*	0.5, 0.75, 1, 1.5, 2, 2.5, 3, 4, 5 & 6	SLF1-*	1, 1.5, 2, 2.5, 3, 5 & 10	Violet	1	0.8	2	1.7	1.4	1
SLR2-*	0.5, 0.7, 1, 1.5, 2, 2.5, 3, 4, 5 & 6	SLF2-*	1, 1.5, 2, 2.5, 3, 4, 5 & 6	Green	2	1.6	4	3.4	2.8	2
SLR3-*	1, 1.5, 2, 2.5, 3, 4, 5 & 6	SLF3-*	2, 3, 4, 5 & 6	Yellow	3	2.4	6	5.1	4.2	3
SLR4-*	1, 1.5, 2, 3, 4, 5 & 6	SLF4-*	3 & 4	Grey	4	3.2	8	6.9	5.6	4
SLR5-*	2, 3, 4, 5 & 6	SLF5-*	4	Red	5	4.0	10	8.6	7.0	5
SLR6-*	2, 2.5, 3, 4, 5 & 6	SLF6-*	3	Brown	6	4.8	12	10.3	8.4	6
SLR8-*	2, 2.5, 3, 4 & 6	SLF8-*	3	Blue	8	6.4	16	13.8	11.2	8
SLR10-*	3, 4, 6, 8 & 10	SLF10-*	-	Orange	10	8.0	20	17.3	14.1	10

Example: SLF1-1.5 - Sling Flat WLL1 x 1.5m length



Performing tasks quickly, safely and efficiently.



LADDERS

Powermaster Fibreglass Extension Ladders

- High strength durable box rails
- Light weight
- Twist and sway resistant
- Weather resistant
- Patented latch system
- Swivel feet with urethane studs and gravel spikes
- Spring rope retraction
- Non-slip "D" profile rungs
- Non conductive safety yellow fibreglass
- Side pull standard
- Complies with AS/NZS1892.3.1996



Part No	Retracted	Extended	WLL	Weight
FED 3.4	2.4m	3.4m	160kg	12.0kg
FED 4.0	2.7m	4.0m	160kg	15.5kg
FED 5.2	3.3m	5.2m	160kg	18.5kg
FED 6.4	3.9m	6.4m	160kg	21.6kg
FED 7.6	4.5m	7.6m	160kg	27.1kg
FED 8.8	5.1m	8.8m	150kg	31.5kg
FED 9.4	5.7m	9.4m	140kg	35.5kg
FED 9.8	5.8m	9.8m	120kg	35.5kg

RESCUE KITS & LIVE WORKING EQUIPMENT

Low Voltage Switchboard Rescue Kits

Part No: LVRK-P



Kit Contents	
Individual Item Part No	Description
E014R-11	Gloves Pair - 1000V Class "0"
RK-LVHOOK	Rescue Hook – Insulated Plastic
RK-TORCH	LED Torch - Weatherproof with swivel hook & magnet
RK-FIREBLKT	Fire Blanket 1.2m x 1.8m - AS/NZS3504
RK-BANDAGE	Bandage, Multi Trauma Dressing 250 x 750mm
RK-SIGN	Hanging Sign – "Isolate Here In Emergency"
3218	First Aid Quick Reference Guide
TENM525	PVC Bag – 'LV Rescue Kit' with divider & shoulder strap
RAWD091	Card listing contents and Next Test Date table
Weight 3kg	

High Voltage Switchboard Rescue Equipment

Part No: SBRKITHV

- Supplied to customer specifications
- Other components & kits available

SAMPLE KIT ITEMS

- Gloves Pair – Rated over working voltage (5, 10, 20, 30 & 40kV available)
- Rescue Hook – Rated over working voltage (5-225kV available)
- Torch - Weatherproof
- Blanket – Fire
- Dressing – Trauma
- Tag – "Isolate Here In Emergency"
- Mat – Insulating Rubber Ground (5, 10, 20, 30 & 40kV available)
- Suit – Arc Protective
- Shield – Face, Arc protective
- Platform – Insulating (Indoor or outdoor, 24-63kV available)
- Bag – Carry Case (Made specifically to suit components) *

* Minimum order quantities may apply

TEN has access to all individual items to make up your required Rescue Kits

Rescue Stick/ Hook

Part No: SBRKITHV

- Insulated Handles
- Hastings models use in conjunction with A30002 handguard
- Hastings model insulated sticks tested to 100kV for 300mm
- Catu Models supplied with permanent handguard and wall mount

Part No	Length	Standard	Weight
848-1	2.3m	ASTMF7-11	3.4kg
848-2	2.9m		3.6kg
A30002	Hastings handguard - non-conductive delrin		
CS-45	1.7m	CATU	1.1kg
CS-90	2.0m		1.2kg
CS-225	2.5m		1.2kg





Class 00



Class 0

SALISBURY

by Honeywell



Class 2

Class 3

Class 4



Bell Cuff

Contour Cuff

Straight Cuff

INSULATING GLOVES

Linesman Gloves LV ASTM CLASS 0 & 00

- Insulating gloves for live electrical work
- Supplied in pairs only
- Single and dual colour gloves available for Class 0
- High dielectric strength, flexible and durable
- Straight style smooth finish gloves
- Sizes 7 - 12, including half sizes on 8, 9 & 10
- Natural rubber
- Meets ANSI/ASTM D 120

TEN can provide a fitting service for your linesmen's gloves and sleeves

Linesman Gloves HV ASTM CLASS 1-4

- Meet ASTM D120 and IEC/EN 60903 standards
- All ASTM voltage classes available
- Dual coloured gloves, internal/external for easy inspection
- Straight Cuff (Bell Cuff and Contour Cuff also available)
- Sizes 7 - 12*, including half sizes 8, 9 & 10
(*Excluding Size 7 on Class 3 & 4 and Bell Cuff Gloves)
- Natural rubber
- Meets ANSI/ASTM D 120

Part No	Working Voltage	ASTM Class	Sizes	Glove Colour	Length	ASTM Label Colour
E0011R-*	500VAC	00	7-12	Red	11"/280mm	Beige
E014R-*	1000VAC	0	7-12	Red	14"/350mm	Red
E014BY-*	1000VAC	0	7-12	Black/Yellow	14"/350mm	Red
E114YB-*	7.5kV	1	7-12	Yellow/Black	14"/350mm	White

*Specify Size - Example:

E114YB-10: E1 - Class, 14 - Length in inches, YB - Colours yellow/black, Size 10

Straight, Bell and Contour Cuff styles available

Arc Flash Lift Front Hoods - PrismShield 40 Cal/cm²

Part No: LFH40PLT-SPL



Salisbury's revolutionary 40 cal Lift Front Hood combines the PrismShield™ award winning weight balancing face shield, a transparent chin guard and the standard hood. Lift Front Hood's wider face shield and transparent chin guard more than doubles the vertical peripheral vision of the standard hood.

The Salisbury Lift Front Hood - 40 cal is now available with ground-breaking PrismShield™. PrismShield™ provides full color recognition, making sure workers will set similarly-colored objects apart at all times. It also increases general visibility, especially when working indoors in poorly-lit rooms. A reliable solution from Honeywell to improve color recognition and visibility – with all colors in sight and full safety on site.

- Improved visibility, vertical peripheral vision field increases by 109% which allows for a clearer view of surroundings.
- Honeywell Salisbury PrismShield™ full color recognition lens.

FIBREGLASS STICKS & ACCESSORIES

Triangular Operating & Measuring Telescopic Sticks with Storage Bag

Part No: MV Series & HV Series

- Open and close switches, EDO's and service fuses
- Replaceable sections, no disassembly tools required
- Fluoro lime green tip section is foam filled
- Tested to ASTM F711 & OSHA
- Kit with Universal Disconnect Hook # P10431 and Storage Bag



MV Series Only:

- Measure elevated heights
- Supplied in metre/centimetre measuring graduations
- Eye level reading feature with measurement markings in lge, red numbers
- Markings will not chip, peel or rub off

Part No	Extended Length	Retracted Length	Base Diameter	Bag Replacement	Weight
MV-25-K	7.8m	1.6m	48.5mm	TENM301	3.7kg
MV-30-K	9.2m	1.7m	52.6mm		4.6kg
MV-35-K	10.6m	1.7m	56.4mm		5.5kg
MV-40-K	12.0m	1.8m	60.5mm		6.5kg
HV-208-K	2.4m	0.7m	44.5mm	TENM308	1.4kg
HV-212-K	3.8m	1.5m	36.8mm	TENM309	1.7kg
HV-216-K	5.0m	1.5m	40.9mm	TENM301	2.3kg
HV-220-K	6.4m	1.6m	44.5mm	TENM301	2.9kg

Replacement Parts

- No tools are required for replacing, sections sold complete with lock assembly
- Order base cap separately if replacing base section

Fixed & Telescopic Shotgun Sticks

- Full open side hook offers unobstructed view
- Precision cast slide gives complete control and extra firm grip
- Hook release trigger shielded to avoid accidental operation
- Hanger hook moulded into head
- Foam filled fibreglass main shaft
- Tested to ASTM F711 & OSHA
- Fixed shotguns tested to IEC 60855

Other sizes Available

Part No	Style	Extended/OAL ¹	Bag	Weight
8104	Fixed	1370mm	TENM309	0.31kg
8106	Fixed	1980mm	TENM301	0.45kg
8108	Fixed	2590mm	TENM310	0.59kg
81611	Telescopic	3350mm	TENM301	0.54kg
81811	Telescopic	3810mm	TENM310	0.59kg

1- Lengths which can be locked for operating

Telescopic Stick

Part No: EX2-1848

- 'No Twist' triangular design - enables each section to 'lock in automatically'
- Stick collapses below the lip of EWP bucket (940mm)
- Sections can be easily removed as required
- All sections easily replaceable - no tools required
- Fluoro green tip section is highly visible and has a foam core
- Ergonomic design gives operator better gripping surface for better control

Extended Length	4.4m (14.5')
Retracted Length	0.94m
Tool Weight	3kg



- Meter Reading
- Asset Inspection
- Fits in a car boot!

Triangular Profile = No Twist





TELESCOPIC STICKS

Sectional Shotgun Sticks

- Same features as Fixed shotguns
- Select Base & Head then required Extension sections for height

Part No	Section	Extended/OAL (mm)
81-706	Base & Head	2133 (1828 & 304)
81-604	Extension	1219
81-606	Extension	1828



FIBREGLASS STICKS & ACCESSORIES

Sectional Stick Kits - Example

Part No: QR-112-4-KIT

Part No	Description	Qty
5546-4	Extension Section	5
5553-4	Base Section with Glued Rubber Base Cap	1
AD03	Adaptor Bayonet Aluminium Head	1
TENM312	Bag - Sectional Stick Kit	1
10-188-1	Silicone Wipe	2
10-090	Silicone Cloth	1



Tree Trimming Kits

Part No: 4141 & 4142

- For line clearance crews, trouble shooting and emergency call outs
- Complete kit with sticks, rope insulator, cutter, saw & adaptors in carry bag
- Tested to ASTM F711, IEC 60855 & OSHA
- Refer to local network provider procedures for live line use

Part No	Stick OD	Length of Sections	Maximum Height	Description	Weight
4141	32mm	1.2m	4.8m	Tree Trimming Kit (Refer below table)	6.8kg
4142	32mm	1.8m	7.2m		8.6kg



TENM315



TENM305

Qty in Kits		Part No	Item Description
4141	4142		
4	-	546-4	Stick Sectional Extension 1.2m
-	4	546-6	Stick Sectional Extension 1.8m
1	1	4125	Cutter Tree Pruner 600mm FG
1	1	A18007	Base Cap 32mm Female
1	1	A10012	Adaptor Male Universal 32mm
1	1	4010	Insulator Link for Rope 1100mm FG
1	1	P10046	Universal "S" Hook
1	1	A11000	Universal Pruning Saw
1	1	A10016	Universal Saw Handle
1	1	A30007	Pruning Saw Scabbard
1	-	TENM305	Bag Tree Trim to suit 1.2m
-	1	TENM315	Bag Tree Trim to suit 1.8m



Tree Trimming Accessories

Part No	Description	Details
A11000	Universal Pruning Saw	Teflon coated, curved blade 400mm, 7 teeth per 25mm
A30007	Pruning Saw Leather Scabbard	For safe storage of Pruning Saw, Heavy duty stitching

Make Your Own Kit



Round Profile

FIBREGLASS STICKS & ACCESSORIES

Sectional Sticks

- Sectional sticks
- Foam filled tested per OSHA, ASTM F711
- 32mm OD sticks tested to IEC 60855



Universal Head with Removable Base Adaptor					Extension Section					Base Section with Glued Rubber Base Cap				
Length	OD (mm) 32	Wt (kg)	OD (mm) 38	Wt (kg)	Length	OD (mm) 32	Wt (kg)	OD (mm) 38	Wt (kg)	Length	OD (mm) 32	Wt (kg)	OD (mm) 38	Wt (kg)
0.6m	5467-2	0.47	-	-	0.6m	546-2	0.45	-	-	0.6m	-	-	-	-
1.2m	5467-4	0.90	5547-4	1.08	1.2m	546-4	0.56	5546-4	0.90	1.2m	552-4	0.68	5553-4	0.85
1.8m	5467-6	1.07	5547-6	1.56	1.8m	546-6	0.93	5546-6	1.39	1.8m	552-6	0.90	5553-6	1.25
2.4m	5467-8	1.41	5547-8	2.04	2.4m	546-8	1.13	5546-8	1.87	2.4m	552-8	1.30	5553-8	1.64

Sectional Stick Kits

- Customised stick kits made to customer specification
- Below are TEN's standard kits

Individual Component Part No	Item Description	Kit Part No		
		TENK020	TENK021	TENK026
546-4	Stick Sectional Extension 1.2m, 32mm OD	3	-	4
546-6	Stick Sectional Extension 1.8m, 32mm OD	-	3	-
5467-4	Stick Sectional, Universal Head, Removable Base Cap, 32mm OD	1	-	-
A5455-10-PTU	Fuse Extraction Head	-	1	1
A10012	Adaptor Male Universal Head 32mm	-	1	1
A18007	Base Cap 32mm Female	-	1	1
A30002	Hand Guard to Suit 32mm	1	1	1
P10431	Universal Disconnect Hook	-	1	1
A10400	Universal Disconnect Hook Fluoro	1	-	-
TENM302	Bag Sectional Kit, 4 x 1.2m & Acc Pock	1	-	1
TENM306	Bag Sectional Kit, 4 x 1.8m & Acc Pock	-	1	-
10-188-1	Disposable Silicon Cleaning Wipe	2	-	2
10-090	Silicon Wiping Cloth	1	-	1



A5455-10-PTU Fuse Extraction



P10431 Disconnect Hook



A10400 Disconnect Hook, Fluoro



Adaptors & Base Caps

- Universal head, sectional button type adaptors and base caps
- Suits button extension fibreglass sticks

Image	32mm OD		38mm OD		32mm OD		38mm OD	
Part No	A10012	A10025	A10011	A10026	A18007	A18008		
Suits Sticks	32mmOD	38mmOD	32mmOD	38mmOD	32mmOD	mmOD38		
Description	Male Universal Button Adaptor		Female Universal Adaptor		Female Base Cap			
Material	FG, Al Alloy & Plastic				FG & Rubber			



No drilling or welding into the rail

BONDING CLAMPS

The Rail Connector range is designed as a permanent connection for Cu conductor to a variety of rails used in Heavy Rail Mass Transit systems.



Constructed using a Heavy Duty Air Craft quality steel spring member, Copper Cable Nest, Indentor, Hex Head Bolt and Locking Nut.

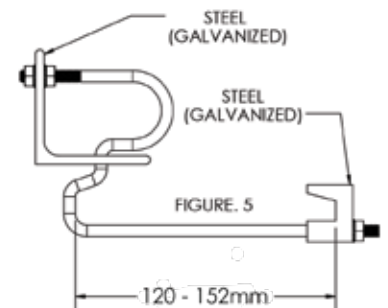
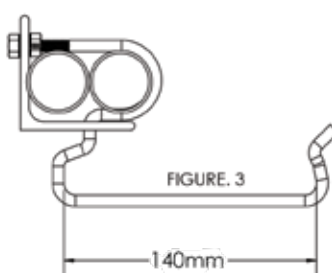
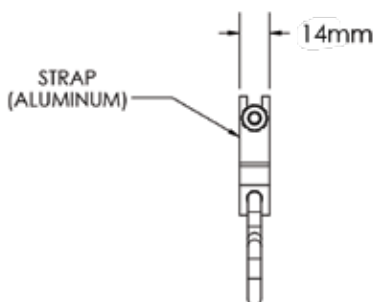
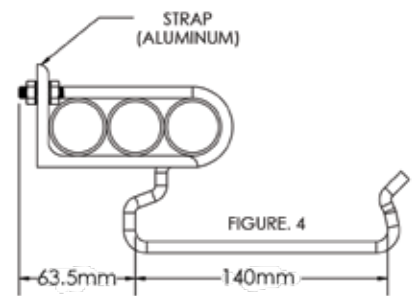
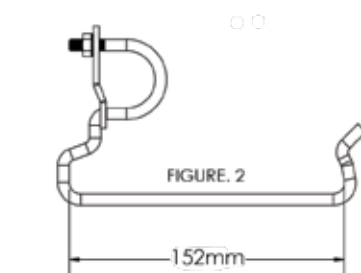
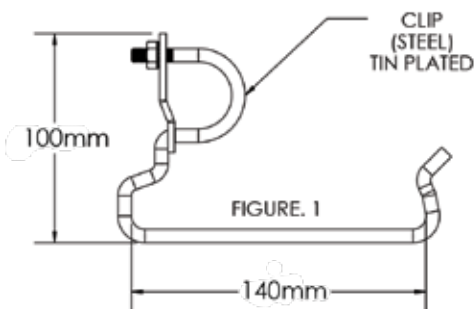
- No need to drill holes in the rail
- No need to weld conductor to the rail
- The rail is not subjected to warping by excessive heat or to weakening by drilling
- Labor Saving- Installation time is 1/6 man hours
- Fewer rail connections required because of the large conductor capacity
- Single conductors up to 1000 MCM
- Dual conductors up to 750 MCM
- Large conductors can be bent away from the rail after installation without the risk of damaging the connector. Unlike Compression type lugs that can crack during this process
- The Clamp is an active spring that applies a consistent force on the conductor ensuring a positive connection through heat cycling and train vibration
- The "J" shaped spring member of the connector helps overcome loosening problems associated with harsh train vibrations by flexing rather than breaking
- Whereas a Static type connection doesn't have this resiliency and could crack under prolonged vibration
- The consistent spring pressure also prevents moisture and contamination from seeping into the connection
- All Copper components are Tin Plated and Steel Components are Galvanised

Signal Cable Support Spring Rail Clips

Spring Rail Clips

Part No.	Rail Size & Type	Cable OD & Capacity	Figure#
115-250	115 lb AREA	1.25" x 1	1
140-375	140 lb AREA	1.375" x 1	2
115-250-2S	115 lb AREA	1.095" x 2 - 1.365" x 2	3
115-250-3	115 lb AREA	1.302" x 3	4
100-ARA-B-250-2	100 ARA-B	1.095" x 2 -	5

Note: All part numbers are supplied with standard zinc plated kept nuts. Add suffix 'n' to part number to specify a stainless steel nylon insert nut

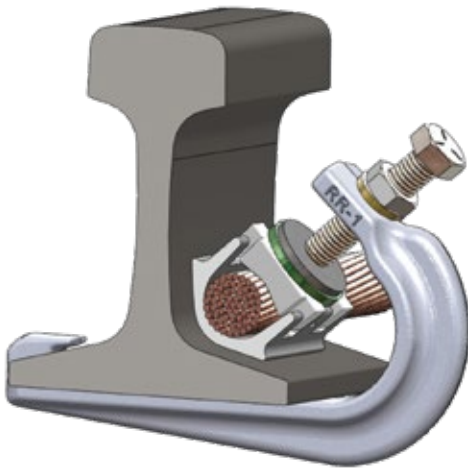


BONDING CLAMPS

Running Rail Connector

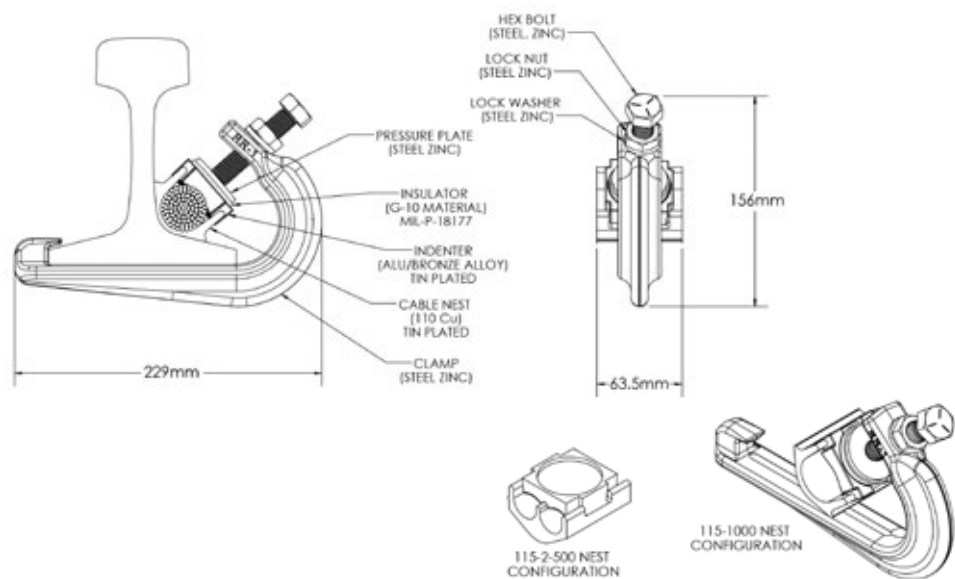
The CPI Running Rail Connector is designed as a permanent connection for Cu conductor to a variety of rails used in Heavy Rail Mass Transit systems.

Constructed using a Heavy Duty Air Craft quality steel spring member, Copper Cable Nest, Indentor, Hex Head Bolt and Locking Nut.



Single Conductor Connectors		
Part No.	Rail Size & Type	Conductor Size & Range
115-1000	115lb AREA	1000MCM - 1250MCM
Two Conductor Connections		
115-2-500	115 lb AREA	2250MCM - 2500MCM

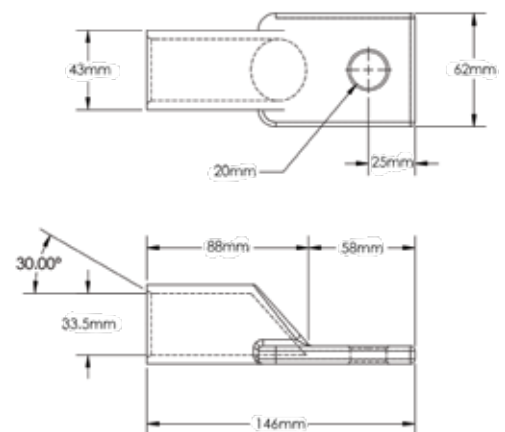
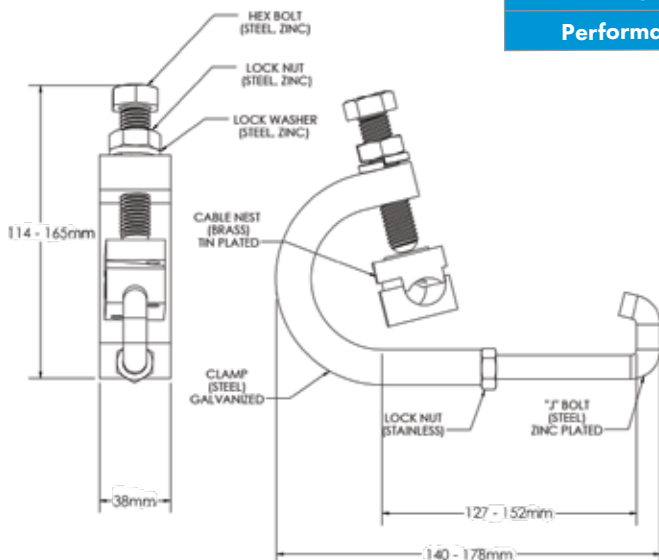
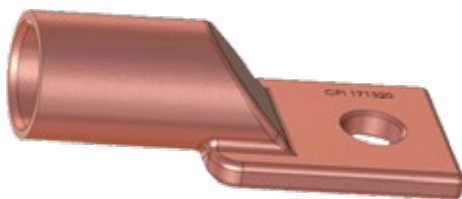
For any rail conductor connection not listed above, consult TEN Group.

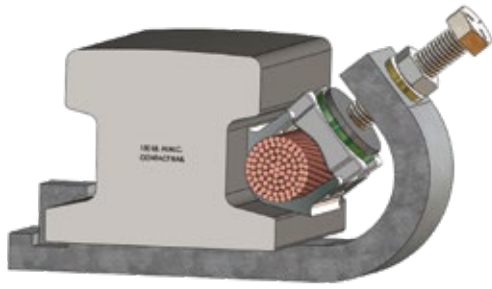


Running Rail Bonding Connector

1000 MCM Heavy Wall Terminal Lug

Part No.	171320
Material	1/8 Hard DLP Copper Tubing
Capacity	1000MCM Conductor
Finish	Tin Plated
Performance	UL 486 & NEMA 500 Cycle Standards





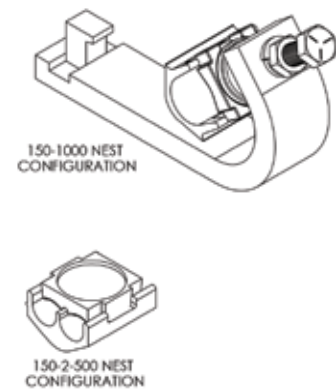
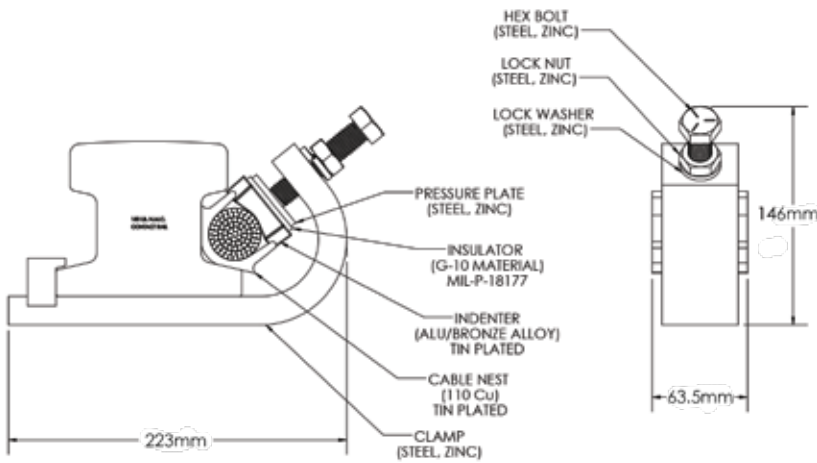
Contact Rail Connector

The CPI Contact Rail Connector is designed as a permanent connection for Cu conductor to a variety of rails used in Heavy Rail Mass Transit systems.

Constructed using a Heavy Duty Air Craft quality steel spring member, Copper Cable Nest, Indenter, Hex Head Bolt and Locking Nut.

Single Conductor Connectors		
Part No.	Rail Size & Type	Conductor Size & Range
150-1000	150lb NMC	1000MCM
150-2000	150lb NMC	2000MCM
Two Conductor Connections		
150-2-500	150 lb NMC	2250MCM - 2500MCM

For any rail or conductor combination not listed above, consult TEN Group.



CONDUCTOR CONNECTOR

Wedge Clamps

Wedge Clamp Connectors consist of a spring "C"-Body and wedge combined with a "shear-head" bolt offering a high performance permanent connection that is low resistance, durable and easy to install.

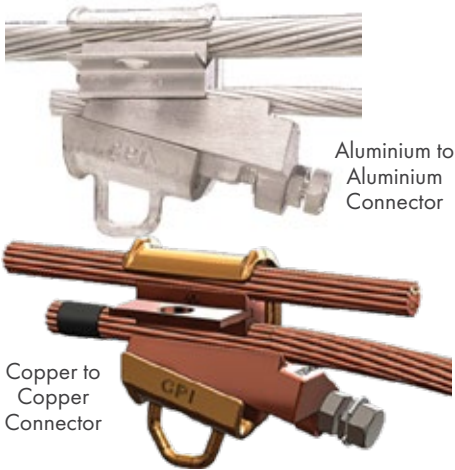
MAINTAINS LOW RESISTANCE CONNECTIONS AT ALL TIMES

The spring body of the connector will flex and maintain a constant force as thermal cycling causes conductors expand and contract.

SIMPLE AND SAFE INSTALLATION

During installation, when proper spring tension is achieved, the shear head bolt will break off giving the installer a positive indication of a correctly completed connection.

The wedge design has become the only leading wedge system that can be installed without specialised tooling, providing a safe and easy installation that reduces or eliminates tooling inventory, maintenance and repair expense.

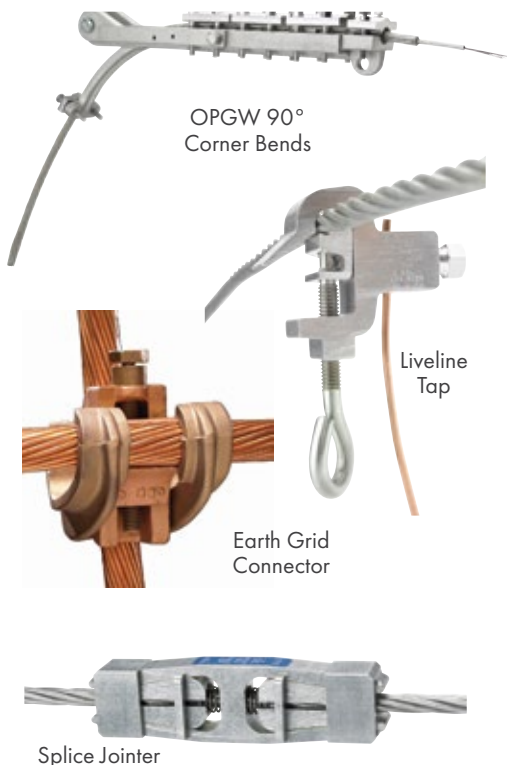


No special tools required for installation



Removable and re-usable with no damage to the conductor

- Utilises the industry-proven Wedge Connecting principle and is quick and easy to apply with a common socket or impact wrench
- The "Spring-Like" qualities of the C-Body ensure permanent connection and maintains consistent pressure on the conductors
- Quick installation over conventional crimp-type or molded joints
- Liveline installation with hot-stick tools
- For use in all applications including critical high load areas and on overloaded circuits
- May be used in highly corrosive environments including salt laden areas to connect copper conductors
- High-conductivity grit type corrosion inhibitor is factory applied for long life
- **Removable and reusable** with no damage to conductor
- Remains permanently locked through fault current or power surges
- Meets or exceeds the current carrying capacity of the conductors being connected
- Complies with AS-NZS 4325 1 -1995



Part No	Style	Main	Bail Rating
102009	Wedge Stirrup	10.515 - 13.258mm	550Amp
102010	Wedge Stirrup	7.416 - 10.109mm	550Amp
102011	Wedge Stirrup	4.114 - 7.416mm	550Amp
336915-1	Wedge Stirrup	14.884 - 18.389mm	550Amp
Part No	Style	Main	Tap
210103	Wedge	8.991 - 10.515mm	5.029 - 5.892mm
210106	Wedge	8.991 - 10.515mm	8.991 - 10.515mm
230107	Wedge	11.353 - 12.750mm	5.029 - 5.892mm
230110	Wedge	11.353 - 12.750mm	8.991 - 10.515mm
230111	Wedge	11.353 - 12.750mm	11.353 - 12.750mm
264113	Wedge	12.750 - 14.579mm	8.991 - 10.515mm
264114	Wedge	12.750 - 14.579mm	11.353 - 12.750mm
264115	Wedge	12.750 - 14.579mm	13.258 - 14.579mm
336012	Wedge	16.916 - 18.872mm	9.347 - 12.750mm
350123	Wedge	15.468 - 17.373mm	13.258 - 14.579mm
556294	Wedge	21.742 - 24.206mm	20.193 - 23.317mm

Available for ALL Conductor Sizes



Adjustable Wrenches

- Wide capacity jaw on sizes 4 - 24/100-600mm allows each tool to work with more fastener sizes
- Tension spring stabilises jaw and knurl adjusts easily
- Wider handle on sizes 6 - 12 provides more comfort & less stress on the hand
- Alloy steel and heat treated and plated finish resists rust and corrosion

Part No	AC26VS	AC28VS	AC210VS	AC212VS	AC215VS	AC218VS
Size mm	150mm	200mm	250mm	300mm	380mm	460mm
Size Inches	6"	8"	10"	12"	15"	18"



NIGAKI

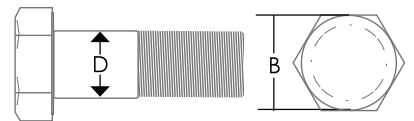
RATCHET PODGERS

4 Way Ratchet Wrench

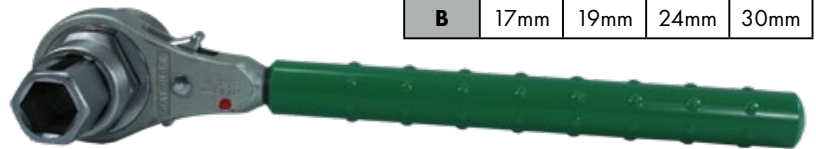
Part No: BY-3

- Four sizes in one
- Plastic ergonomic non-slip handle with grips

**FOUR
sizes in
ONE**



D	10mm	12mm	16mm	20mm
B	17mm	19mm	24mm	30mm



Part No. (no handle)	Part No with Handle	Size	Hex
RRP1317	RRP1317-H	13 & 17mm	12pt
RRP1719	RRP1719-H	17 & 19mm	12pt
RRP1824	RRP1824-H	18 & 24mm	12pt
RRP1921	RRP1921-H	19 & 21mm	12pt
RRP1924	RRP1924-H	19 & 24mm	12pt
RRP2124	RRP2124-H	21 & 24mm	12pt
RRP2427	RRP2427-H	24 & 27mm	12pt
RRP2430	RRP2430-H	24 & 30mm	12pt
RRP3032	RRP3032-H	30 & 32mm	12pt
RRP3236	RRP3236-H	32 & 36mm	12pt

Lanyard can be threaded through anchor hole for added safety



RRP3236



Part No. (no handle)	Part No with Handle	Size	Hex	Length
RRP36	RRP36-H	36mm	12pt	450mm





Plumb Hammers

Part No	Description
11400N	Fibreglass Curve Claw Hammer 20Oz/566g
11497	Hickory Ball Pein Hammer 12Oz/340g
11521	Hickory Ball Pein Hammer 32Oz/910g
PCH3	Club Hammer with Fibreglass Handle 3LB



Mumme Sledge Hammer

- 10lb Sledge Hammer with 900mm wooden handle
- Forged from tough high tensile carbon manganese steel
- Weight 12.35lb/ 5.6kg
- 970mmL x 185mmW x 140mmD

Mumme Crowbar

- 1650mm Insulated Bar - Rubber Coated
- Made from Alloy Steel
- Non-conductive comfortable rubber coated grip bonded to steel 38mmOD
- Weight 13.54lb/ 6.14kg
- 650mmL x 750mmW x 50mmD



Ratcheting Cable Cutter

Part No: 757

- Extra-thick blades, ground flat to reduce potential for breakage
- Ratchet action for increased cutting power
- Two cutting actions - fast scissor cutting for small cable converts automatically to ratchet mode
- Anti-slip mechanism for positive ratchet action
- Rubber boot protects ratchet mechanism
- 30mm Al, 25mm ACSR/Cu, 12.7mm Soft Steel Rod
- Weight 5.6kg

Bolt Cutters

- High-leverage jaws with shear-cut blades
- Do NOT cut steel or ACSR
- NOT an insulated tool

Part No	Length	Tool Weight
CJ14	350mm	2.0kg
CJ24	600mm	2.5kg
CJ36	900mm	6.0kg





RATCHET CUTTERS

Small ACSR Ratcheting Cable Cutter

Part No: 63607

- Cleanly cuts 336 MCM Linnet ACSR and 2/0 triplex steel catenary cable
- High-Leverage ratchet mechanism for single-handed cutting of copper and aluminium cables, leaving no burrs or sharp edges
- Patented two-step ratchet mechanism requires fewer strokes per cut
- Quick-release lever opens blades easily in every cutting position (Allows removal of the cable before completion of cut)
- Handle locks in closed position for storage and transportation

Breakin Blades? Solution = ACSR Cutters



ACSR Ratcheting Cable Cutter

Part No: REL-9009

- Convenient single handed operation
- Full ratcheting cycle and release in all cutting positions
- Handle locks in closed position for storage and transportation
- Ergonomic rubber handle design to maximise cutting leverage



Ratcheting Cable Cutter

Part No: K1062

- Lightweight design with great cutting performance
- One-hand operation
- Effort-saving 2-stage ratchet system
- Non-slip handles
- *Not suitable for cutting steel or steel wire*



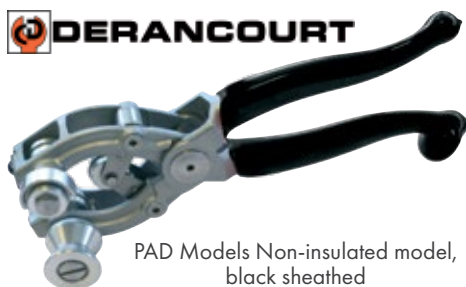
Part No	Cable Dimensions Max Diameter			Length OAL	Tool Weight
	Cu	Al	ACSR / St / Guy		
REL-9009	15mm	18mm	ACSR - 14.7mm, Steel - 4.7mm	270mm	0.5kg
63607	16mm	20mm	ACSR - 15mm	260mm	0.7kg
K1062	52mm	52mm	-	280mm	0.7kg
REL-35	32mm		-	255mm	0.7kg



Ratcheting Cable Cutter

Part No: 757

- Extra-thick blades, ground flat to reduce potential for breakage
- Ratchet action for increased cutting power
- Two cutting actions - fast scissor cutting for small cable converts automatically to ratchet mode
- Anti-slip mechanism for positive ratchet action
- Rubber boot protects ratchet mechanism
- 30mm Al, 25mm ACSR/Cu, 12.7mm Soft Steel Rod
- Weight 5.6kg



PAD Models Non-insulated model, black sheathed

CABLE PREPARATION TOOLS

Cable Strippers

- Plier type strippers, circular/longitudinal cutting with end ripping blade
- Replaceable cutting blades
- 3 x Circular cutting blades, 1 x Lengthwise cutting blade

Part No	Insulated	Circular Cut Depth	Lengthwise Cut Depth	Capacity	Weight
PAD12-16A	No	1.2mm	1.6mm	10-45mm OD	0.75kg
PAD30-30A	No	3mm	3mm	10-45mm OD	0.77kg
PAD40-40A	No	4mm	4mm	10-45mm OD	0.77kg

Sheath Strippers

Part No	Suits Cable	Features	Spare Blade Part No.	Wt
AM1	4.5 - 25mm Ø	Circular and longitudinal cutting, auto-tensioning stirrup with cutting depth thumbscrew adjuster, replacement blades inside handle. 135mm long	AM1-B	0.1kg
AM2	25 - 36mm Ø	Circular and longitudinal cutting, auto-tensioning stirrup with cutting depth thumbscrew adjuster, replacement blades inside handle. 140mm long	AM2-B	0.1kg
R3840	8 - 28mm Ø	Circular and longitudinal cutting, adjustable cutting depth by thumbwheel, replacement blade in handle. 130mm long	-	0.1kg



Easily adjusts to support cable with diameters from 0.5 to 2.5 .



Blade depth & angle are adjustable for greatest range of applications.

Adjustable Cable Stripper

Part No: **US01-7000**

Introducing the industry's most versatile, reliable and accurate adjustable tool for mid-span and end stripping on HV and LV utility cables.

- Easily strip mid-span double insulations in one go for direct connection via PG or Wedge Style connector, or strip outer sheath only for insulated piercing connectors (IPC's)
- Adjusts for 12.7mm to 63.5mm cable diameters
- Eliminates the need for traditional stripping knives, reducing the risk of cuts or lacerations
- Heavy duty tool easily removes jacket & various types of insulation materials
- Patent-pending, self-aligning design maintains optimum blade position to produce precise cuts for reliable splices & connections
- Well-balanced tool has low friction parts & ergonomic handles to reduce effort & potential strain from repetitive stripping functions

Cable Type	HV and LV Utility Cables	
Cable Size	12.7 to 63.5mm	
Compatible Materials	Jacket	URD, PE, PVC, Copper Tape Shield, LC Shield, Flat Strap
	Insulation	XLPE, PE, EPR
Cable Access	Mid Span	Yes
	End	Yes
Blade Adjustability	Angle	Yes
	Depth	Yes
Removable Handles	Yes	



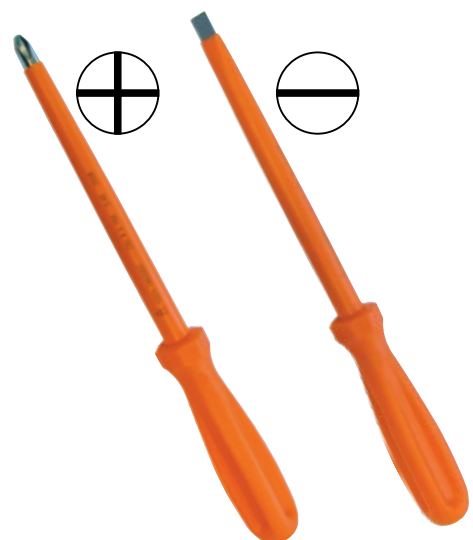
Fully Insulated



Fully Insulated



Fully Insulated



INSULATED HANDTOOLS

1000V Fully Insulated Diagonal Cutters

- Electrician's diagonal cutting pliers
- Fine cutting edges, sharpened for copper wire, cuts semi-hard wire up to 160 Kg/mm²

Part No	Length	Weight
D3-180I	185mm	0.4kg

1000V Insulated Pliers - Multigrip

- Sectored multigrip pliers - double grooves
- Burnished finish

Part No	Length	Opening	Weight
D301-310	310mm	42mm	0.7kg

1000V Fully Insulated Pliers - Long Nose

- Long straight-nose half-round pliers
- Fully insulated pliers to limit any risk of short-circuits
- Straight serrated jaws, half-round
- Induction hardened, diagonal cutting edges

Part No	Length	Weight
D22D-160I	165mm	0.2kg
D22D-200I	205mm	0.3kg

1000V Fully Insulated Pliers - Combination

- Combination pliers fully insulated to jaws
- Fully insulated pliers to limit any risk of short-circuits
- Flat end grip with cutter jaw
- Rectangular gripping area, straight serration with tube grip
- Induction hardened, diagonal cutting edges

Part No	Length	Weight
D1-180I	185mm	0.3kg
D1-200I	205mm	0.4kg

1000V Screwdrivers Flat Head/Round Blade

- 1000V insulated - conforms to CEI 900, NF EN 60900
- ISO 2380:D23/TB, ISO 8764:CRU/POZI/D63
- Vanadium chrome steel

Part No	Shaft Length	Width	Wt	Part No	Shaft Length	Width	Wt
TB-2.5X50B	50mm	2.5mm	20g	CRU-3X100	100mm	3mm	45g
TB-3.5X100	100mm	3.5mm	45g	CRU-4X75	75mm	4mm	50g
TB-4X100	100mm	4mm	50g	CRU-5X100	100mm	5mm	75g
TB-5.5X150	150mm	5.5mm	90g	CRU-6X100	100mm	6mm	95g
TB-6.5X150	150mm	6.5mm	115g	CRU-6X125	125mm	6mm	110g
TB-8X150	150mm	8mm	155g	CRU-8X150	150mm	8mm	155g
TB-10X150	150mm	10mm	220g	CRU-10X200	200mm	10mm	265g
TB-12X200	200mm	12mm	350g				



CD8-60-12
CD8-60 - Insulated torque wrench 8-60 Nm



CD8-60R-12
CD8-60R - Insulated torque wrench 8-60 Nm, Reversible drive end.



C250VM



R250-250



D19-250



D19-250I



D13-17

INSULATED HANDTOOLS

1000V Insulated Torque Wrenches

- For precision tightening
- Automatic release and reset
- Graduated adjustment
- Accuracy 4%
- Torque adjuster locked during use
- Supplied with serial number and verification certificate
- Compliant with standard ISO 6789 & NFX 07-011

Part No	Length	Drive	Weight
CD8-60-12	310mm	1/2"	1.0kg
CD8-60R-12	310mm	1/2"	1.0kg

1000V Insulated Ratchet Wrench

- 1/2" reversible insulated ratchet wrench
- Vanadium chrome steel
- Unbreakable turnover knob

Part No	Length	Weight
C250VM	250mm	0.5kg

1000V Insulated Extension

- 1/2" insulated extension
- Vanadium chrome steel
- 1/2" driving square

Part No	Length	Weight
R250-250	250mm	0.4kg

1000V Insulated Shifters - Standard & Fully Insulated

- Adjustable wrenches
- Chrome vanadium steel, easy jaw roller - Invisible slip joint

Part No	Length	Opening	Weight
D19-250	260mm	28mm	0.5kg
D19-250I	265mm	32mm	0.6kg

1000V Insulated Offset Ring Wrench

- Made from forged steel, vanadium chrome steel
- Long handle for powerful tightening
- Easier to remove embedded nuts angled 12 point fine heads
- Chamfer makes it easier to position the wrench

Part No	Length	Opening	Weight
D13-17	215mm	17mm	0.2kg



Intelligent tools that increase productivity

Battery Powered Cutting Tool >20mmOD

Part No: ES-20-LAU

- Extremely robust design and lightweight
- Slim cutting head - ideal when space is critical
- Open head, rotatable 330°
- Easy one-button operating concept for controlling all tooling functions
- Automatic retraction when operation is complete
- LED illuminates work area
- Red LED & acoustic signal in case of failure
- Makita high performance 18V lithium-ion battery, short charging time
- Multifunction LED for maintenance display and data transfer via optional interface and USB adapter
- Includes 18V/1.5Ah Li-Ion Battery, Charger & Heavy Duty Plastic Case

Cuts	ACSR, Al, Cu, Steel Rope
Cutting Range	>20mmOD
Cutting Force	23kN/ 2.3 Tonne
Cutting Time	2 - 4 Seconds depending on cable
Tool Weight	2.0kg including battery



Battery Powered Cutting Tool >32mmOD

Part No: ES-32LAU

- Slim cutting head - ideal when space is critical
- Open head, rotatable 330°
- Easy one-button operating concept for controlling all tooling functions
- Automatic retraction when operation is complete
- LED illuminates work area
- Red LED & acoustic signal in case of failure
- Makita high performance 18V lithium-ion battery, short charging time
- Multifunction LED for maintenance display and data transfer via optional interface and USB adapter
- Includes 18V/1.5Ah Li-Ion Battery, Charger & Heavy Duty Plastic Case

Cuts	Al, Cu
Cutting Range	>32mmOD
Cutting Force	15kN/ 1.5 Tonne
Cutting Time	2 - 4 Seconds depending on cable
Tool Weight	2.0kg including battery



Battery Powered Cutting Tool >25mmOD

Part No: ESG-25-LAU

- High-performance cutting for highly-flexible conductors and wire cables
- Extremely robust design and lightweight
- Closed head, flip top style, rotatable 330°
- Easy one-button operating concept for controlling all tooling functions
- Automatic retraction when operation is complete
- LED illuminates work area
- Makita high performance 18V lithium-ion battery, short charging time
- Multifunction LED for maintenance display and data transfer via optional interface and USB adapter
- Includes 18V/1.5Ah Li-Ion Battery, Charger & Heavy Duty Plastic Case

Cuts	ACSR, Al, Cu, Steel
Cutting Range	>25mmOD
Cutting Force	60kN/ 6 Tonne
Cutting Time	2 - 4 Seconds depending on cable
Tool Weight	2.1kg including battery



Battery Powered Cutting Tools 6T & 12T

- Closed cutting head with bolt interlock, flip top style, under no pressure rotates 360°
- Electronic control and monitoring of operation
- One-button operating concept for controlling all tooling functions
- Balanced centre of gravity for easy handling and effortless operations
- LED for workplace illumination
- High-performance 18 V Li-Ion battery - high capacity, short charging time
- 2-stage hydraulic system with fast feed and power stroke
- Quick motor stop for high user safety
- Automatic retraction when operation is complete
- Manual retraction in case of need
- Manual retraction stop (MRS) for efficient operations
- Multifunction LED for maintenance display and data transfer via optional interface and USB adapter
- Includes 18V/3.0Ah Li-Ion Battery, Charger & Heavy Duty Plastic Case

Part Number	ESG-45-LAU	ESG-85-LAU	ESG-105-LAU
Cuts	ACSR, Al, Cu, Armoured, Round Steel 20mmOD	Al, Cu, Light Armoured Al/ Cu	
Cutting Range	>45mmOD	>85mmOD	>105mmOD
Cutting Force	60kN/ 6 Tonne	60kN/ 6 Tonne	120kN/ 12 Tonne
Tool Weight	5.7kg including battery	6.6kg including battery	10.3kg including battery

Battery Powered Remote Control Cutter

Part No: ES-20-LAU-RC

- All data can be easily read via Bluetooth. Operation can be switched between manual / remote
- Open head, rotatable
- Simple and safe: one-button operating concept for controlling all tool functions
- Effortless operations due to balanced centre of gravity, even when used with a telescopic hot-stick pole
- LED for work area illumination
- Quick motor stop for high user safety
- Automatic retraction when operation is complete
- Manual retract stop (MRS) for efficient operation
- Saves energy: motor stops after the operation
- Always ready-to-use thanks to battery charge and service display
- Simple one-hand control via remote control
- Powerful Makita battery enables longer on-site operation between charges

Perfect for Cutting Dropper Wires remotely

Part No./Description	Data
ES-20-LAU-RC	Remote Control Battery Hydraulic Cutter
Cutting Range	Al, Cu, ACSR to max. 20mm dia
Cutting Force	23kN
Cutting Time	2-4 seconds
Cuts between charging	Approx. 160
Weight incl. battery	2.0kg
Bluetooth range	20m
ES-32-LAU-RC	Remote Control Battery Hydraulic Cutter
Cutting Range	Al, Cu to max. 32mm dia



One head for crimping, cutting and punching - one tool for all



Klauke

FULLY CHARGED IN
22 MINS

Battery Cut, Crimp & Punch Multi Tool

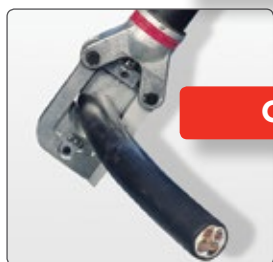
Part No: **EK-120UNVC-LAU**

- Ideal for field operations - all common jobs can be carried out with one tool
- Fast working due to 2-stage hydraulics
- Universal head flip-top style, rotatable 330°
- Electronic control and monitoring of operation
- One-button operating concept for controlling all tooling functions
- LED for workplace illumination
- High-performance 18 V Li-Ion battery - high capacity, short charging time
- 2-stage hydraulic system with fast feed and power stroke
- Quick motor stop for high user safety
- Automatic retraction when operation is complete, manual option if needed
- Manual retract stop with "teach-in" (MRS+) for positioning control in case of multiple crimpings
- Multifunction LED for maintenance display and data transfer via optional interface and USB adaptor
- Includes 18V/3.0Ah Li-Ion Battery, Adaptor for crimping dies, Charger & Heavy Duty Plastic Case

Cuts	ASCR, Al, Cu, Armoured, 13mm Steel Rod, 15mm Guy Wire
Cutting Range	40mm
Crimping Force	108kN/ 11 Tonne
Crimp range	400mm ² Cu / 300mm ² Al
Punching Capacity	Up to 144mm round, Up to 138mm x 138mm square
Tool Weight	6.3kg including battery



Crimping



Cutting



Punching

ADAPTERS - Crimping	
Adapter for crimping dies	UA12TKL
ADAPTERS - Cutting	
Cutting die for Cu/Al conductors, ASCR up to max. 40mmØ	UCACSR
Cutting die for Cu/Al conductors without armouring up to max. 26mm Ø	UC26
Cutting die for Cu/Al conductors without armouring up to max. 40mm Ø	UC40
Cutting die for threaded rods M5 metric	UCM5
Cutting die for threaded rods M6 metric	UCM6
Cutting die for threaded rods M8 metric	UCM8
Cutting die for threaded rods M 10 metric	UCM10
Cutting die for threaded rods M 12 metric	UCM12
Cutting die for threaded rods 1/4"	UCUNC14
Cutting die for threaded rods 3/8"	UCUNC38
Cutting die for threaded rods 1/2"	UCUNC12
Cutting die for DIN rails 35 x 15	UCD3515
Cutting die for DIN rails 32 x 15 x 9	UCD3215
Cutting die for DIN rails 35 x 7.5	UCD3575
Cutting die for DIN rails 2980	UCN2980
Cutting die for laminated Cu bus bars, max. width 37.5 mm	UCF
Cutting die 107mm ² type AC for catenary wires in railway construction	UCAC107
Cutting die 85mm ² type BC for catenary wires in railway construction	UCBC85
Cutting die 110mm ² type BC for catenary wires in railway construction	UCBC110
Cutting die 120mm ² type BC for catenary wires in railway construction	UCBC120
Cutting die 150mm ² type BC for catenary wires in railway construction	UCBC150
ADAPTERS - Punching	
For round punches up to 144mmØ, 138x138mm and 68x138mm	UA12P
Punching die for DIN rails, 35x15, 32x15x9, 35x7.5	UPD6



No.1 Seller

FULLY CHARGED IN 22 MINS

Klauke Crimping & Cutting Tools USB Adaptor - Part No: PGA1



Allows download of tool crimping data

Battery Powered Crimping Tool 12T

Part No: EK-12042-LAU

- C-Head with 42mm opening width and wide crimping range to 400mm²
- Up to 60% less crimping operations compared with 6 Tonne tools
- Easy handling by optimum weight distribution
- Open head, rotatable 360°
- Electronic control and monitoring of operation
- Integrated pressure measurement with visual and audible signals in case of failure
- Evaluation function using optical interface and USB-Adapter
- One-button operating concept for controlling all tooling functions
- Balanced centre of gravity for easy handling and effortless operations
- LED for workplace illumination
- High-performance 18 V Li-Ion battery - high capacity, short charging time
- High-performance motor for maximum operating speed
- 2-stage hydraulic system with fast feed and power stroke
- Quick motor stop for high user safety
- Automatic retraction when operation is complete
- Manual retraction in case of need
- Automatic retraction stop (ARS) for positioning control in case of multiple crimpings
- Multifunction LED for maintenance display and data transfer via optional interface and USB adapter
- Includes 18V/3.0Ah Li-Ion Battery, Charger & Heavy Duty Plastic Case

Crimps	Cu 400mm, Al 240mm, ACSR 185mm
Crimping Force	120kN / 12 Tonne
Stroke/Opening Width	42mm
Head Rotation	360°
Tool Weight	6.8kg including battery

Battery Powered Crimping Tool 5T

Part No: EK-425-LAU

- One handed ergonomic design with single push button operation
- Suitable for ABC (3 ABC Dies Included) and up to 240mm² Cu/Al
- Automatic retraction once crimp is completed
- Integrated pressure test with optical and acoustical signal in case of failure
- Autostop function
- LED Light Illuminates working space
- Red LED display and acoustic signal in case of fault
- High performance 18V Lithium-Ion-battery - Charges in 22 Mins
- Crimp head rotates 360°
- Multi-functional LED indicates maintenance and battery control
- Manual retraction does not rely on battery power
- Includes 2 x Crimp Head (CJD3BG & CJ22), 3 x ABC Dies, 1 x Cutting Die, 18V/3.0Ah Li-Ion Battery, Charger & Heavy Duty Plastic Case

50kN force in a lightweight tool of only 2.6kg

Crimps	Cu/Al 240mm ² , ACSR 185mm ²
Crimping Force	50kN / 5 Ton
Stroke/Opening Width	40mm
Head Rotation	360°
Tool Weight	2.6kg including battery
Crimp Styles	



Head Rotates 360°

Ergonomic single push button operation

LED Illumination of workspace

Genuine Makita Li-Ion Battery

Red LED display and acoustic signal in case of fault

FULLY CHARGED IN 22 MINS



Die Type

CJD3BG

CJ22

12 Tonne Dies

Part No: K12-

- Crimping dies to suit hydraulic battery and hand hydraulic 12T "C" type crimpers.
- Commonly referred to as "C" or "U" type dies.
- Dies colour coded to material type.
- Finished A/F diameter marked on die face for easy identification on finished lug or sleeve.



12T Crimping Tool
EK12042-LAU

Part No	Type	Conductor Type (mm ²)	A/F (mm)	Width (mm)	Finish
K12-04.4-CU	Copper	6mm ²	4.4	6.5	Gold
K12-05.7-CU	Copper	10mm ²	5.7	6.5	Gold
K12-06.3-CU	Copper	16mm ²	6.3	17.5	Gold
K12-07.7-CU	Copper	25mm ²	7.7	17.5	Gold
K12-08.2-CU	Copper	-	8.2	9	Gold
K12-09.2-CU	Copper	35mm ²	9.2	17.5	Gold
K12-10.4-CU	Copper	50mm ²	10.4	17.5	Gold
K12-11.5-CU	Copper	70mm ²	11.5	17.5	Gold
K12-13.0-CU	Copper	OH 37/.064-19/2.11	13.0	17.5	Gold
K12-13.2-CU	Copper	OH 19/1.70	13.2	-	Gold
K12-14.2-CU	Copper	95mm ²	14.2	17.5	Gold
K12-14.8-CU	Copper	OH 19/2.00-19/2.11	14.8	9	Gold
K12-16.5-CU	Copper	120mm ²	16.5	14	Gold
K12-18.3-CU	Copper	150mm ²	18.3	14	Gold
K12-19.0-CU	Copper	-	19.0	22	Gold
K12-19.3-CU	Copper	OH 19/2.57	19.3	14	Gold
K12-20.0-CU	Copper	185mm ²	20	14	Gold
K12-22.0-CU	Copper	-	22.0	10	Gold
K12-23.1-CU	Copper	240mm ²	23.1	10	Gold
K12-26.0-CU	Copper	300mm ²	26.0	10	Gold
K12-28.1-CU	Copper	400mm ²	28.1	10	Gold
K12-09.0-AL	Aluminium	6-35mm ²	9.0	22	Silver
K12-13.2-AL	Aluminium	50-70mm ²	13.2	22	Silver
K12-14.0-AL	Aluminium	OH 7/2.25	14.0	22	Silver
K12-14.5-AL	Aluminium	OH 7/2.50	14.5	22	Silver
K12-14.8-AL	Aluminium	OH 19/2.00-19/2.11	14.8	22	Silver
K12-16.6-AL	Aluminium	-	16.6	22	Silver
K12-17.3-AL	Aluminium	95 - 120mm ²	17.3	22	Silver
K12-18.0-AL	Aluminium	OH 7/3.00 to 7/3.75	18.0	22	Silver
K12-19.0-AL	Aluminium	OH 7/4.50	19.0	22	Silver
K12-21.0-AL	Aluminium	suits Utilux 150-185mm ²	21.0	18	Silver
K12-21.5-AL	Aluminium	-	21.5	18	Silver
K12-22.0-AL	Aluminium	150-185mm ²	22.0	18	Silver
K12-23.1-AL	Aluminium	-	23.1	18	Silver
K12-24.9-AL	Aluminium	-	24.9	18	Silver
K12-25.4-AL	Aluminium	OH 19/3.75 CABAC	25.4	18	Silver
K12-26.2-AL	Aluminium	OH 19/3.75 Utilux	26.2	18	Silver
K12-28.4-AL	Aluminium	240-300mm ²	28.4	18	Silver
K12-30.0-AL	Aluminium	-	30.0	18	Silver
K12-30.3-AL	Aluminium	OH 19/4.75	30.3	18	Silver
K12-14.0-ABC	ABC	25mm ²	14.0	9	Black
K12-17.3-ABC	ABC	35-70mm ²	17.3	9	Black
K12-21.5-ABC	ABC	95-150mm ²	21.5	9	Black
K12-06.8-ST	Steel	Inner Steel ACSR	6.8	10	Black
K12-07.5-ST	Steel	Inner Steel ACSR	7.5	10	Black
K12-09.5-ST	Steel	Inner Steel ACSR	9.5	10	Black
K12-07.5-CS	Cu Screen	-	7.5	16	Gold
K12-12.7-CS	Cu Screen	-	12.7	14	Gold
K12-14.0-CS	Cu Screen	-	14	18	Gold

12 Tonne Dies cont

Part No	Type	Conductor Type (mm ²)	A/F (mm)	Width (mm)	Finish
K12-09.2-CUOH	Copper	OH 7/2.00-7/2.03	9.2	9	Gold
K12-A-INDENT-16	Aluminium	120, sector cable, 3 or 4 core	-	-	Silver
K12-A-INDENT-18	Aluminium	150-185, sector cable, 3 or 4 core	-	-	Silver
K12-A-INDENT-19	Aluminium	240-300, sector cable, 3 or 4 core	-	-	Silver
K12-ANEST12	Aluminium	70-300 sector cable, 3 core	-	-	Silver
K12-ANEST14	Aluminium	70-120 sector cable, 4 core	-	-	Silver
K12-ANEST15	Aluminium	185-300 sector cable, 4 core	-	-	Silver
K12-CSFLAT9	Copper	hex / flat, 9mm crimp width, flat one side			Gold
K12-U997	"C" profile for earth rod	120, 15.9-19.05mm rods	-	-	Gold
K12-UO	"U" style, UO, compression, Burndy				
DUOT	CEC connector, profile C, high fault current capacity, heavy duty				

60 Tonne Dies

Part No: K60-

- Commonly referred to as "C" or "U" type dies
- Dies marked for easy identification



Part No	Type	Conductor Type (mm ²)	A/F (mm)	Width (mm)	Finish
K60-23.1-CU	Copper	240mm ²	23.1	25	Black
K60-26.0-CU	Copper	300mm ²	26.0	25	Black
K60-28.1-CU	Copper	400mm ²	28.1	25	Black
K60-31.0-CU	Copper	500mm ²	31.0	25	Black
K60-37.0-CU	Copper	630mm ²	37.0	25	Black
K60-43.2-CU	Copper	800mm ²	43.2	25	Black
K60-48.0-CU	Copper	1000mm ²	48.0	25	Black
K60-28.3-AL	Aluminium	240-300mm ²	28.3	50	Black
K60-28.5-AL	Aluminium	-	28.5	50	Black
K60-34.5-AL	Aluminium	-	34.5	50	Black
K60-39.0-AL	Aluminium	400-500mm ²	39.0	50	Black
K60-40.0-AL	Aluminium	-	40.0	50	Black
K60-43.2-AL	Aluminium	630mm ²	43.2	50	Black
K60-44.5-AL	Aluminium	-	44.5	50	Black
K60-47.5-AL	Aluminium	-	47.5	45	Black
K60-48.0-AL	Aluminium	-	48.0	45	Black
K60-52.5-AL	Aluminium	800-1000mm ²	52.5	40	Black
K60-7.5-ST	Steel	-	7.5	19	Black
K60-16.0-ST	Steel	-	16.0	19	Black
K60-17.0-ST	Steel	-	17.0	19	Black
K60-18.0-ST	Steel	-	18.0	19	Black
K60-19.0-ST	Steel	-	19.0	19	Black

100 Tonne Dies

Part No: K100-

- Commonly referred to as “Izumi” style dies
- Dies marked for easy identification



Part No	Type	Conductor Type (mm ²)	A/F (mm)	Width (mm)	Finish
K100-60TADAPT	Die, adaptor, 100T to suit 60T dies				
K100-21.0-AL	Aluminium	-	21	75	Black
K100-28.5-AL	Aluminium	-	28.5	75	Black
K100-30.0-AL	Aluminium	-	30	75	Black
K100-34.5-AL	Aluminium	-	34.5	75	Black
K100-40.0-AL	Aluminium	-	40	75	Black
K100-44.5-AL	Aluminium	-	44.5	75	Black
K100-47.5-AL	Aluminium	-	47.5	75	Black
K100-48.0-AL	Aluminium	-	48	75	Black
K100-16.0-ST	Steel Inner	-	16	35	Black
K100-17.0-ST	Steel Inner	-	17	35	Black
K100-18.0-ST	Steel Inner	-	18	35	Black
K100-19.0-ST	Steel Inner	-	19	35	Black
K100-20.0-ST	Steel Inner	-	20	35	Black
K100-26.0-ST	Steel Inner	-	26	35	Black
K100-7.5-ST	Steel Inner	-	7.5	35	Black

15 Ton (13.5 Tonne) Dies

Part No: K15-

- Dies colour coded for easy identification



Part No	Type	Conductor Type (mm ²)	A/F (mm)	Width (mm)	Finish
K15-31.0-CU	Copper	500mm ²	31.0	-	Gold
K15-37.0-CU	Copper	630mm ²	37.0	-	Gold
K15-39.0-AL	Aluminium	400-500mm ²	39.0	-	Silver

25 Tonne Dies

Part No: K25-

- Dies colour coded for easy identification



Part No	Type	Conductor Type (mm ²)	A/F (mm)	Width (mm)	Finish
AU230-130D	Die, adaptor, 25T, suit 12T dies				
K25-28.1-CU	Copper	400mm ²	28.1	16	Gold
K25-31.0-CU	Copper	500mm ²	31.0	16	Gold
K25-37.0-CU	Copper	630mm ²	37.0	16	Gold
K25-30.0-AL	Aluminium	-	30.0	25	Silver
K25-39.0-AL	Aluminium	400-500mm ²	39.0	25	Silver

6 Tonne Dies

Part No: K6-

- Crimping dies to suit 6 Tonne hydraulic battery and hand crimpers (Klauke EK425, EK60UNVCC and HK6022)
- Commonly referred to as “C” or “U” type dies
- Dies colour coded to material type
- Finished A/F diameter marked on die face for easy identification on lug or sleeve.



Part No	Type	Conductor Type (mm ²)	A/F (mm)	Width (mm)	Finish
K6-04.4-CU	Copper	6mm ²	4.4	5	Gold
K6-06.3-CU	Copper	16mm ²	6.3	6	Gold
K6-07.7-CU	Copper	25mm ²	7.7	12	Gold
K6-09.2-CU	Copper	35mm ²	9.2	12	Gold
K6-10.4-CU	Copper	50mm ²	10.4	9	Gold
K6-11.5-CU	Copper	70mm ²	11.5	9	Gold
K6-14.2-CU	Copper	95mm ²	14.2	6	Gold
K6-16.5-CU	Copper	120mm ²	16.5	6	Gold
K6-18.3-CU	Copper	150mm ²	18.3	5	Gold
K6-20.0-CU	Copper	185mm ²	20.0	5	Gold
K6-23.1-CU	Copper	240mm ²	23.1	5	Gold
K6-09.0-AL	Aluminium	10-35mm ²	9.0	12	Silver
K6-13.2-AL	Aluminium	50-70mm ²	13.2	12	Silver
K6-17.3-AL	Aluminium	95-120mm ²	17.3	12	Silver
K6-18.0-AL	Aluminium	-	18.0	12	Silver
K6-19.0-AL	Aluminium	-	19.0	12	Silver
K6-22.0-AL	Aluminium	150-185mm ²	22.0	9	Silver
K6-28.4-AL	Aluminium	240-300mm ²	28.4	5	Silver
K6-14.0-ABC	ABC	25mm ²	14.0	9	Black
K6-17.3-ABC	ABC	35-70mm ²	17.3	9	Black
K6-21.5-ABC	ABC	95-150mm ²	21.5	9	Black
KD6-27	ACSR Cutting		Max. cut 11.1mm ACSR		Black

SERVICE & REPAIR



Energy utilities and contractors make large investments in tools and equipment that can cost millions of dollars each year.

Good servicing routine and processes extend the life of tools, minimising unplanned downtime and reducing tool lifetime costs.

Planned maintenance for regular servicing of your tooling also helps reduce repair costs, and improves reliability and productivity.

SERVICING

Servicing tools and equipment extends the useable life of the tool by replacing worn components before a failure or fault occurs. Replacing a low cost seal on a hydraulic tool could be the difference between getting a job done and costly delays. Repairing a damaged tool is almost always more costly than undertaking the regular maintenance and service of the tool.

MAINTENANCE

A regular maintenance schedule allows the utility to plan downtime instead of being forced into unplanned downtime when a tool fails. Service work can be carried out at a time when the tool is not required or there are additional tools available for use. TEN offers loan tools where available and this can all but eliminate any downtime for a depot or truck with only one tool.

When it comes to Maintenance, Servicing and repair requirements for hydraulic tools and equipment you really need to be able to trust that your work is being carried out properly.



SDK20

SDA50

SDK32

Remote Hydraulic Cutting Heads

- For specialist cutting requirements in the vicinity of live power lines in the electrical utility and railway industries
- SD cutting heads that allow the operator to remotely cut conductor and tree limbs

ACSR Cutting Head

Part No: SDK20

- Lightweight head for cutting ACSR conductor or steel dropper wires (railway), up to 20mm diameter

Cu/Al Cutting Head

Part No: SDK32

- Lightweight head for cutting copper or aluminium conductor up to 32mm diameter

Wood Cutting Head

Part No: SDA50

- A unique lightweight hydraulic head for cutting tree branches
- Reduces the manual exertion required when using mechanical pruners and branch saws
- Greatly reduces the amount of exposed metal when cutting in close proximity to live overhead conductors
- Cuts tree limbs up to 50mm diameter



Klauke Hydraulic Drive Unit 700bar

Part No: AHP700LC



Drive unit with cutting head

The Klauke Hydraulic Drive unit suits all cutting heads shown above

Hydraulic Kink Remover

Part No: XDH41

The overhead contact wire may have deformations as a result of problems when unwinding the wire or through the use of pulling grips during servicing on the overhead wire. In order to ensure good contact between the contact wire and the pantograph, it is necessary that the contact wire is straight.

The hydraulic kink-remover can be powered by the Klauke Hydraulic Drive Unit AHP700L. The kink-remover can be used on 107sqmm and 150sqmm copper, copper-cadmium, copper-tin and copper-magnesium contact wires.



In one operation the kink disappears

Force	40kN
Weight	3.8kg
Dimensions	205 x 205 x 80mm
Operating Pressure	700 Bar
Carry Case	310 x 280 x 110mm
Includes	Quick coupler



Klauke Hydraulic Drive Unit 700bar

Part No: AHP700LC

- Compact and lightweight design for mobile field application
- Suitable for operating single acting crimping and cutting tools of 700 bar
- Selector switch for crimping, cutting and punching operations
- Fibreglass reinforced polyamide shock proof housing
- Large display indicates function selection, pressure readings, battery condition and diagnosis information
- Automatic retraction
- Remote control with cable for easy operation
- All high pressure hoses are supplied with coupling plug and coupling sleeve, filled with oil
- Two powerful Makita 3.0Ah, 18V Li-Ion batteries
- Cushioned shoulder strap for optimum wearing comfort

6.4kg with
2 batteries

1 Pump - Multiple Heads

Cutting



7.7kg

105mm Armoured Cutting Head
Part No SDG105C



4.3kg

85mm Armoured Cutting Head
Part No SDG852C



3.8kg

45mm Armoured Cutting Head
Part No SDG45C



5.2kg

85mm Cutting Head ACSR/ Steel
Part No SDK85C



2kg

Cutting Head
Part No SDK20P33MC

Crimping



100T Crimping Head

Part No PK1000C
33kg with dies



25T Crimping Head
Part No PK252C
5.3kg



12T Crimping Head
Part No PK12042FPC
4.5kg

Multi Tools



3.5kg

Multi Head Crimping/Cutting/Punching
Part No PK120UNVC

40mm Cutting Die
Part No UCACSR



12T Die Adaptor
Part No UA12T



Punch Adaptor
Part No UA12P



Highly Versatile



Drive unit with
press head

Drive unit with
cutting head



Hand Pump

- Heavy duty, metal construction for durability
- High displacements of oil per stroke
- Adjustable handle effort / dual pivot points
- Low, back saving handle effort
- External adjustable relief valves



Petrol
G6 Series

Electric & Petrol Pumps

- High performance two-stage pump provides higher crossover pressure for faster cycle times and equipment operation
- Ideal for use with mid to large sized hydraulic cylinders or tools

G4 Electric Series:

Max. Pressure: 10000 psi
1st Stage Flow: 400 cu. in. / min.
2nd Stage Flow: 55 cu. in. / min.

G6 Petrol Series:

Max. Pressure: 10000 psi
1st Stage Flow: 750 cu. in. / min.
2nd Stage Flow: 100 cu. in. / min.



Electric
G4 Series



RJ85A



TJH109LS

Ratchet Jacks

- Double-lever sockets for jacking in close quarters
- Drop-forged, alloy steel, heat treated components
- Plated springs to resist corrosion
- Large base insures a firm foundation
- Supports full rated capacity on the toe or the cap

Toe Jacks

- Self-contained model for maximum versatility
- Low toe heights fit in tight clearances
- The lowest handle effort for easy operation
- The lowest weights for reduced back injuries



Hydraulic Steel Cylinder - Low Profile

- HD internal spring for retract assistance
- Heat treated hardened load cap is standard
- Stop ring for piston blow-out protection
- Plated piston to resist scoring & corrosion
- High flow couplers are plated to resist corrosion
- Rod wiper protects inner cylinder from dirt

Hydraulic Steel Cylinder - Flat Jack

- Plated pistons to reduce scoring & corrosion
- Steel piston for protection against load damage
- Low profile, high tonnage design
- High flow couplers
- Rod wiper protects inner cylinder from dirt



Hydraulic Steel Cylinder - Spring Return

- HD internal spring for fast retract assistance
- Heat treated load caps are standard
- Stop ring for piston blow-out protection
- Plated piston resists scoring & corrosion
- High flow couplers are plated to resist corrosion
- Rod wiper protects inner cylinder from dirt

TEN Manufactured Canvas and PVC Products



TEN's range of quality Australian made storage solutions and accessories are industry proven and tested to our stringent quality standards.

A range of options are available including customised logos, identification numbers and warning labels.

All our manufactured products use the highest quality materials:

PVC

Australian made 600gsm and 680gsm high tenacity PVC made in a tear stop construction commonly used in extra heavy duty tarpaulins. Tear stop material is specially designed to stop further tearing of a cut or tear in the fabric when it

occurs. The base fabric is lacquer coated for extra protection and dirt resistant. It is also flame retardant, mildew resistant and UV resistant.

Heavy Duty Canvas

Our tear stop canvas has core spun threads woven throughout for added strength and resistance to damage. The canvas is waterproofed during production and it's UV resistance stands up to our harsh Australian climates.

It features excellent shrink and colour control and is completely breathable minimising internal moisture build up. This canvas is made tough and is commonly used in the transport industry.



Natural Loomstate canvas (white) is also used as it is untreated and un-dyed, ideal for the storage and protection of rubber goods.

Webbing & Stitching

The webbing used comes in three grades and is selected in accordance with the storage application and customer requirements;

1. Polypropylene webbing - strong and lightweight
2. Heavy duty polyester webbing (also known as seat belt webbing) - is used for its strength and low elongation under load
3. Military webbing - manufactured in accordance with Australian Defence Force specifications.

Webbing is ideal for support banding and handles, it is light and strong minimising excess weight for the operator. All our stitching patterns and materials are designed to provide maximum strength and resistance to tears improving the durability and longevity of your storage solutions.



High Frequency Welded Seams

TEN now provides high frequency welded seams on selected PVC material bags featuring the water droplet icon. Equipment bags face the toughest Australian conditions exposed to the sun, rain, heat and cold. Sewn seam bags can take on water if water pools on top of seams. By utilising high frequency energy to instantly heat the thermoplastic coating this enables the two sheets of PVC to be permanently fused together giving a water tight join. Whilst physically not as strong as a sewn seam it does have its own distinct advantages including abrasion resistance at the seam, resistance to thread decay and a neat flush finish.



Quality Assurance

Quality assurance is an integral part of the manufacturing process including the design, materials and processes before all products pass a final quality check and are signed off by TEN staff to IS9001 standards.



SCI QUAL INTERNATIONAL
QUALITY APPROVED TO AS/NZS ISO 9001:2008
 REGN. Number 551



SCI QUAL INTERNATIONAL
OH&S SYSTEM CERTIFIED TO AS/NZS 4801:2001
 REGN. Number 3567



SCI QUAL INTERNATIONAL
ENVIRONMENTAL SYSTEM CERTIFIED TO AS/NZS ISO 14001:2004
 REGN. Number 4279

Safety

Safe Operating procedures are adhered to by all manufacturing team members at TEN, and we are proud of our accreditation to AS4801 Safety Management Systems.

Our safety commitment filters through to the design and applications of our storage solutions. Manual handling issues can be reduced with correctly designed shoulder straps as well as strong handle options. Safety can be increased when sharp tools, pinch points and awkward items are covered or stored with the correct storage solution.





TENM516



TENM510

Webbing shoulder strap with 2 stainless steel snap locks (detachable)

Plastic base insert

PVC - Water Resistant Bags

- PVC Equipment Bag
- Designed to carry PPE/ Asbestos gear
- Made from heavy duty PVC (flame retardant, mildew & UV resistant)
- High frequency welded seams provide water resistance
- Internally reinforced base corners
- Velcro waterfall flap over heavy duty double lock easy slide zip
- Webbing handles & bound edges
- Double lock easy slide zip
- Plastic base insert

Part No	Dimensions (mm)	Weight	Features
TENM510	740 (L) x 360 (W) x 330 (H)	2.0kg	Detachable Shoulder Strap
TENM516	740 (L) x 360 (W) x 330 (H)	2.0kg	No Shoulder strap

High frequency welded seams provide water resistance



TENM512

Barrel Bag, PVC

Part No: TENM512

- PVC Equipment bags, red
- Made from heavy duty PVC (flame retardant, mildew & UV resistant)
- Designed to carry PPE
- Weatherstrip over heavy duty double lock easy slide zip
- Webbing handles
- Clear ID pocket on bag exterior

Dimensions (mm)	Weight
650 (L) x 380 (Ø)	0.7kg



TENM506

Barrel Bag, Canvas

Part No: TENM506

- Canvas Equipment bags, red
- Made from durable tear stop canvas (UV & mould resistant)
- Designed to carry PPE
- Weatherstrip over heavy duty double lock easy slide zip
- Webbing handles
- Clear ID pocket on bag exterior

Dimensions (mm)	Weight
800 (L) x 380 (Ø)	1.0kg



Top flap folds back and holds in place with velcro when in use

Riggers Pouch - Canvas

Part No: TENM402

- Suits riggers and pole or tower workers
- Made from red durable tear stop canvas (UV & mould resistant)
- Fold back top flap sticks down with velcro to stay in place
- Large side release buckle for harness or belt
- 2 pockets (1 large and 1 small) plus 2 external tool slots on sides
- Webbing straps have heavy-duty quick release buckles
- Bound edges

Dimensions (mm)	Weight
180 (L) x 70 (W) x 300 (H)	0.2kg





Equipment Bag - PVC

Part No: TENM511

- Made from strong, lightweight 600gsm, tear proof PVC, orange
- Internal document pocket, 3 external box pockets
- Movable compartment walls (velcro)
- Fold over velcro flap
- Webbing handle & bound edges

Dimensions (mm)	Weight
460 (L) x 290 (H) x 130 (W)	1.0kg



Safely stores all your general test equipment

Equipment Bag - PVC

Part No: TENM407

- Made from strong, lightweight 600gsm, tear proof PVC, orange
- 6 adjustable internal pockets (velcro)
- Clear internal document pocket (in lid)
- Clear external identity pocket
- Velcro waterfall flap over heavy duty double lock easy slide zip
- Webbing shoulder strap & bound edges

Dimensions (mm)	Weight
440 (L) x 330 (H) x 230 (W)	1.5kg



Earth Bag - PVC

Part No: TENM424

- PVC carry bag, red
- Ideal for Portable Earthing Devices
- Made from heavy duty PVC (flame retardant, mildew & UV resistant)
- Large webbing handles, easy shoulder style carry
- Velcro flap
- 1 divider
- Webbing handles & bound edges

Dimensions	Divider	Weight
600 (L) x 160 (W) x 600 (H)	1	0.8kg



Equipment not included





Canvas Tool Buckets

Part No: TENM206

- Oval shaped tool bucket, red
- 14 internal tool pockets, 9 external tool pockets, 1 large with velcro flap
- Made from durable tear stop canvas and webbing
- Detachable webbing shoulder strap and 2 x s/steel gate hooks
- Plastic base insert

Pockets	Dimensions (mm)	Weight
14 Internal, 10 External (1 Large)	400 (L) x 240 (W) x 260 (H)	1.3kg



Part No: TENM201

- "Traditional" tool bucket, white
- 2 open, external pockets with bound edges
- Made from durable loomstate canvas and reinforced webbing
- PVC marine grade internal/external base
- Rope handle, fixed one end and s/steel snap hook the other

Pockets	Dimensions (mm)	Weight
2 External	300 Ø x 350 (H)	1.0kg



Part No: TENM203

- "Classic" tool bucket, red
- 2 open, external PVC pockets with bound edges
- Made from durable tear stop canvas and PVC
- Rope handle, fixed one end and s/steel snap hook the other

Pockets	Dimensions (mm)	Weight
2 External	280 Ø x 350 (H)	1.0kg



Part No: TENM207

- "Classic" tool bucket, red
- 2 open, external PVC pockets with bound edges
- Made from durable tear stop canvas and PVC
- 2 Rope handles, fixed one end and s/steel snap hook the other
- 2 rope handles make it ideal for hauling, can be hung while detaching the hauling line

2 ropes for easy hauling

Pockets	Dimensions (mm)	Weight
2 External	280 Ø x 350 (H)	1.0kg



GLOVE AND SLEEVE BAGS

Glove Bag - Canvas (LV)

Part No: TENM408

- Traditional loomstate canvas glove bag, white
- Tapered shape
- Velcro flaps and s/steel snap hook to clip to belt
- Bound edges

Dimensions (mm)	Weight
460 (L) x 200 (W) x 100 (D)	0.5kg



Loomstate is an untreated and undyed natural cotton canvas. It is an ideal material to store vital protective rubber goods such as gloves, sleeves and inners.



Glove Bag - Canvas 3 Pocket (LV)

Part No: TENM409

- Traditional loomstate canvas glove bag, white
- 3 pockets: for rubber insulating gloves, protective outers and cotton inners
- Velcro flap and s/steel snap hook to clip to belt
- Supplied with identification tag (key tag)
- Bound edges

Dimensions (mm)	Weight
360 (L) x 170 (W) x 220 (D)	0.5kg

Glove & Sleeve Bag - 2 Pocket Canvas (HV)

Part No: TENM410

- Traditional loomstate canvas glove bag, white
- Tapered shape
- Velcro flap and s/steel snap hook to clip to belt
- Bound edges

Dimensions (mm)	Weight
640 (L) x 200 (W) x 200 (D)	0.7kg

Glove & Sleeve Bag - 3 Pocket Canvas (HV)

Part No: TENM411

- Traditional loomstate canvas glove bag, white
- Tapered shape
- 3 pockets - for rubber insulating gloves, sleeves, protective outer and cotton inner gloves
- Velcro flap and s/steel snap hook to clip to belt
- Bound edges

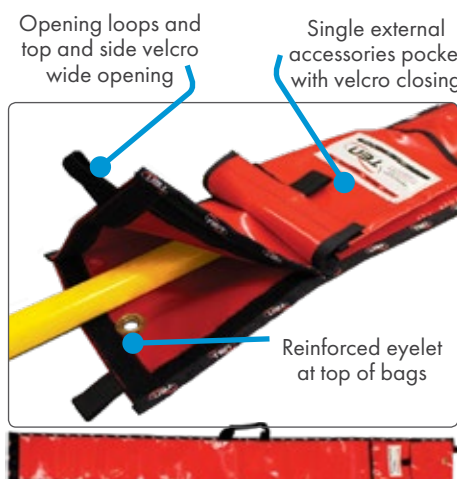
Dimensions (mm)	Weight
700 (L) x 220 (W) x 360 (D)	1.3kg



Gloves not included



Gloves and Sleeves not included



Opening loops and top and side velcro wide opening

Single external accessories pocket with velcro closing

Reinforced eyelet at top of bags

FIBREGLASS STICK BAGS

Fibreglass Stick Bag, Singular - PVC

Part No: TENM301

- PVC stick bag
- Made from heavy duty PVC (flame retardant, mildew & UV resistant)
- Opening loops + top & side velcro wide opening allow easy access to stick
- Single external accessories pocket with velcro closing
- Reinforced eyelet at top of bags
- Webbing carry handles
- Bound edges

Colour	Stick Length	Suits Stick Codes	Weight
Red	1.8m	8106, HV216 to HV240, MV-25 to MV-40, M-50, SM-30, 81-706	1.4kg

Stick Bag, Sectional Shotgun - PVC

Part No: TENM311

- 8 accessory pockets - Some clear PVC pockets for quick ID of contents
- Labelled pockets for copper and aluminium scratch brushes
- Fold bag in half for ease of carrying
- Reinforced eyelets at top of bag, Webbing carry handles, Bound edges
- Holds 2 sticks 1 x 1.8m & 1 x 0.6m
- Weight 1.8kg



Tools not included



ALSO AVAILABLE FOR HIRE

Overhead & Underground

15kN Hydraulic Puller

Part No: ARS200 Series

- Ready for immediate use on site
- Quickly mobilised and placed in working position
- Full training & Risk Assessment provided
- Used for overhead stringing and underground cable hauling
- Single rope stringing
- Negative self acting hydraulic brake
- Bull wheels made of wear proof thermally and chemically treated steel
- Hydraulic dynamometer with set point & automatic control of maximum pull
- Built in reel winder with automatic level wind and special reel for 500m of 8mm Ø Rope
- Closed hydraulic circuit for stepless speed variation in both rotating directions
- Cable guide pivot pulley suitable for work in any underground situation
- 12VDC electrical system

Performance:

Max pull	15kN
Max speed at pull	0.7km/hr
Max speed	3.6km/hr
Pull at max speed	4kN
Engine Output	13kW
Bull wheel Ø	200mm
Rope Ø	8mm
Weight (No fluids)	500kg

Options:

Standard Road Trailer
Skid
8mm Dyneema Braided Rope
Swivel Guide Rope Roller - ALL111



ALL111 Optional Extra Underground Cable Pivot Guide

TENHIRE

Our Fleet, Your Projects.

Australia's best supported & largest range of specialised stringing machinery







MACHINERY	ROPES, REELS & REEL WINDERS	ROLLERS	ACCESSORIES
3 Drum Winch Skid Mounted - 35kN	Hydraulic Puller-Tensioner - 35kN	CableGlider Cable Puller	Reels & Ropes
3 Drum Brake Trailer	Hydraulic Puller-Tensioner - 45kN	Stringing Rollers	Dyneema Fibre Braided Rope
Hydraulic Puller - 15kN	Hydraulic Puller-Tensioner - 90kN	Rolling Earths	Rope Accessories
Hydraulic Puller - 35kN	3T Self Loading Cable Trailer	Reel Winders	Underground Rollers
Hydraulic Puller - 50kN	6T Self Loading Cable Trailer	Reel Elevators	Pumps - Electric
Hydraulic Puller-Tensioner - 25kN	56 Tonne Hydraulic Pole Puller	Drum Stands & Jacks	Press Heads - 60T & 110T

TRANSMISSION / DISTRIBUTION / OVERHEAD / UNDERGROUND

www.tengroup.com.au | Phone : 07 3212 8999



35kN Hydraulic Puller

Part No: ARS403 Series

The ARS403 Hydraulic Puller is suitable to string one rope. The bull wheel grooves are made of wear proof thermally treated steel.

- Used for overhead and underground pulling
- Negative self-acting hydraulic brake
- Hydraulic dynamometer with set-point and automatic control of max. pull
- Hydraulic oil cooling system
- Control instruments for hydraulic system and diesel engine
- Rigid axle for towing at max speed of 30km/hr
- Built-in reel winder with automatic level wind, suitable for standard reel BOF010 and BOF020 (AXR001 included)
- Electronic pull and speed recorder kit (instrument not included)
- Pull pre-setting system
- Mechanical front stabiliser
- Grounding connection point

Hydraulic Transmission

Closed hydraulic circuit for stepless speed variation in both rotating directions.

Performance:

Max pull	35kN
Max speed at pull	1.2km/hr
Max speed	3.6km/hr
Pull at max speed	12kN
Engine Output	25kW
Bull wheel Ø	325mm
Rope Ø	13mm
Weight (No fluids)	980kg

Options:

Standard Road Trailer
Mine Spec Road Trailer
Site Trailer
Pull Recorder - DLR300
U'grd Cable Pulling Attachment - ALL110
Swivel Guide Rope Roller - ALL111
Extra Shaft - AXR001

ALSO AVAILABLE FOR HIRE

Overhead & Underground



Standard Road Trailer

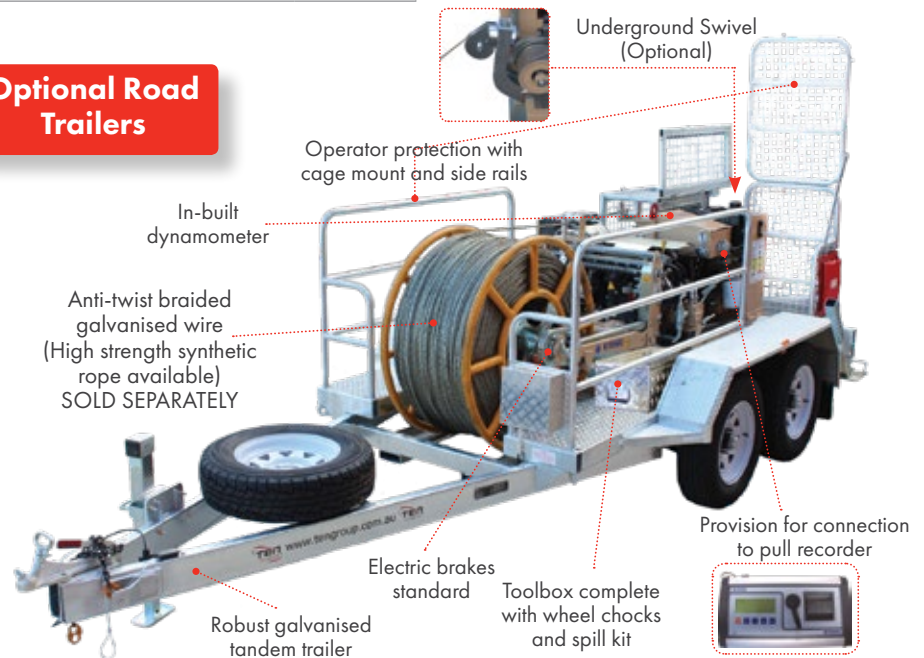


ALL111 Swivel guide rope roller



DLR300 Electronic pull and speed recorder

Optional Road Trailers



Added safety requirements to meet mine specifications

Mine Spec Road Trailer

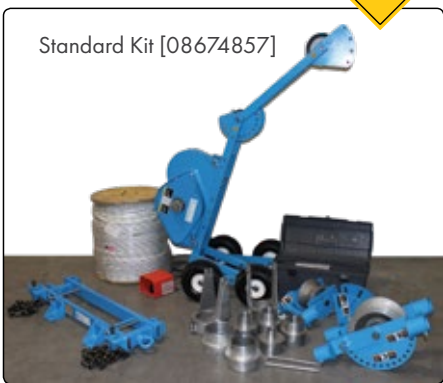




Configures to a variety of power fibre optic and other cable pulling situations



AVAILABLE FOR HIRE



Standard Kit [08674857]

Site Ready Kit



Cable Glider with Conduit Adaptors [08678025]

CAPSTAN WINCH & ELECTRIC CABLE PULLER

CableGlider® Cable Puller Standard Power Pack with Foot Switch

Part No: **08610900AU**

CableGlider® Cable Puller Standard Floor/Pole Mount Bracket

Part No: **08674005**

The STD Cable Puller offers portability and ease of set-up in a completely self-contained unit to adapt to a variety of pulling situations. It comes equipped with a three-speed removable power pack, providing up to 28.9kN of pulling force at low speed. Speed changes occur with just the turn of a dial.

Design features include a self-tailing capstan for added stability, a pivoting arm and a foot switch for operator convenience and safety. It accepts all diameter rope (self-tailing capstan accepts 16mm to 22 mm rope only).

08674857 CableGlider® Kit includes:

- Puller
- Floor Mount
- External Frame Kit
- Split Fork Adapter
- Conduit Adapters: 51mm (2"), 76mm (3"), 89mm (3½"), 102mm (4"), 127mm (5"), 152mm (6") Split Conduit Adapters
- 36.5m x 16mm double braided rope
- Accessories tool box

PULLING FORCE	Low/Low Speed	Low/High Speed	High/High Speed
Maximum	28.9kN	15.6kN	4.4kN
Continuous	17.8kN	8.9kN	1.1kN
PULLING SPEED			
No Load	5.3m/min	12m/min	23.5m/min
At 8.9 kN	4.1 m/min	5.7m/min	—
At 17.8 kN	2.9m/min	—	—
At 26.7 kN	2.1 m/min	—	—
Power Requirements			
Power Supply	230 VAC @ 5 Amps Min		
PEAK POWER	4.7 HP (3.5kW)		
GENERATOR	4000 Watt Recommended		
Capstan	Self tailing, 14cm diameter, 11.2cm width		
Weight	Tool Weight 102kg / Packed Weight 120kg		
Dimensions	147cm L x 69cm W / Max Reach 2m		

Part No	Powerpack	Rope	Floor/Pole Mount Bracket	Conduit Adaptors
08674005	No	No	Yes	No
08610900AU	Standard	No	No	No
08678025	Standard	No	No	Yes
08674857	Standard	Yes	Yes	Yes



Drum Jacks

- Collapsible design for easy transport and storage
- Significant reduced pinch point
- Reinforced retaining cup for threaded spindle
- Jacks labeled with ratings
- Easy wind up design with handle
- Galvanised finish

Drum Jack	Spindle OD	Max Drum Diameter	Max Drum Width	WLL	Weight per Set
TENW002	34mm	1280mm	1030mm	1000kg	60kg
	42mm				
	60mm				
TENW003	60mm	1800mm	1180mm	2000kg	90kg
	76mm				
TENW004	60mm	2400mm	1180mm	3000kg	165kg
	76mm				



Earthing Equipment

- Supplied to customer specifications
- Other components & kits available

Earth Set Kit

Part No: TENK921

- 25kA/0.5s, 4 sticks, screw clamps,
- Includes custom designed carry and storage bag TENM447
- 1200ml earth spike





DC Voltmeter

Part No: RCDCAU

The RCDCAU Digital DC Resistive Voltmeter has a single range of 0 – 2kV. This unit is designed to measure DC voltage.

The unit consists of a meter probe, second probe and connector cable.

The five position selector switch located on the face, controls OFF, ON, and Test. The OFF positions are for storage and transit. The ON position is for measurements from 0 to 1999 volts with one volt resolution. The T position tests basic meter functions and the digital display.



General purpose meter that can be used in a variety of applications:

- A General Purpose 0 to 2kV DC Digital Voltmeter
- Designed to confirm the status of electrical systems
- Can be used with higher currents than hand-held models
- A large digital lcd display has a backlight for easy reading
- Both the meter probe and secondary probe have threaded end fittings
- The unit includes three adapters: a hook adapter and two straight adapters
- An 8 foot interconnecting cable is also included
- Meter is water resistant and has a strong construction
- Designed to withstand wear
- The unit is contained in a highly durable carrying case with interior padding



LT220 Detection Face

STARLOGIX®

Static Discriminator

DETECTORS

LiveTester Proximity Detector

Part No: LT-220-K

- Audible and visual proximity meter
- Patented ferro electric detector
- Electronic touchpad
- Self test function tests internal circuitry and audio visual features
- Auto power off
- Operator feedback - both audible and visual
- Low battery indication
- Water resistant IP 65 and impact resistant
- All models 50Hz
- Universal/shotgun adaptor
- 3 x "C" size batteries required
- Supplied with canvas protective storage/carry bag

Includes Holster and Integrated Tester



VOLTAGE DETECTOR

Stray Voltage Detector

Part No: LV-5-K01

The Stray Voltage Detector is used to detect stray voltage as low as 5 volts which may be present on any electrically conductive surface such as street light poles, stay guy wires, transmission poles, meter cans, manhole covers and many other metallic surfaces in and around electrical utilities.

- Low threshold voltage sensing design picks up voltages from 5 VAC to 600 VAC with direct contact and above 600 VAC at a distance
- Ultra bright, long-lasting red LED indicates when voltage is present
- Detector is always on, ready to use, and operates on two AA alkaline batteries (batteries required)
- Rugged, utility-grade design is waterproof
- Tester integrated into the holster provides a visual indication of the test
- IEC CAT IV Rated

Detects stray voltage on public assets

HDE
HD ELECTRIC COMPANY

INSPECTION EQUIPMENT

Camera Inspection Kit

Part No: WIP1

TEN's inspection camera kit allows the operator to capture High Definition video and photographs using Wi-Fi technology. Using the GoPro Hero+ it delivers improved image quality and powerful new features geared for versatility and convenience. SuperView™ is a new video mode that captures the world's most immersive wide angle perspective, while Auto Low Light mode intelligently adjusts frame rate for stunning low-light performance. The lightweight unit is completely weather proof and is supplied with adaptors to fit either slot together operating rods or hot sticks with universal fitting such as the Hastings Telescopic Stick allowing remote inspection up to 12 metres.

- GoPro Camera unit in weatherproof, shock proof, non-conductive polycarbonate case
- 1 x Adaptor to fit to fit universal rod
- 1 x Adaptor to fit fibreglass stick
- 2 x USB data & charge cable
- 1 x Genuine GoPro Charger with twin outlet
- 1 x POV LED Light



EQUIPMENT TESTERS

Insulator Tester

Part No: IT-4-220P

The Insulator Tester tests energised or de-energised insulators for non-visible internal failures at any AC line voltage. Detect non-visible insulator failures before they cause operations difficulties or safety threats to linesman.

- Universal spline for attachment to a hotstick
- Built-in gigohmmeter applies a current limited 10kVDC potential across an insulator
- Buzzer provides audible warning of bad insulators
- LED scale displays the condition of the insulator being tested
- Powered by an 8VDC rechargeable battery
- Rugged carrying case included
- Lightweight - weighs approximately 1.35 kg





TEN Group

The Energy Network (Australia) Pty Ltd

ABN 72 093 052 441

QUEENSLAND

65 Wentworth Place

BANYO QLD 4014

P|F +61 7 3212 8999 | 8998

W www.tengroup.com.au

E salesqld@tengroup.com.au

TEN HIRE

91 Basalt Street

GEEBUNG QLD 4034

P +61 7 3212 8999

W www.tenhire.com.au

E hire@tengroup.com.au

WESTERN AUSTRALIA

4/15 Baile Road

CANNING VALE WA 6155

P +61 8 9455 5574

E saleswa@tengroup.com.au

NEW SOUTH WALES

Suite F2, Level 1

152-156 Pacific Highway

TUGGERAH NSW 2259

P +61 417 631 443

E salesnsw@tengroup.com.au

VICTORIA

Unit 16, 191-195 Greens Road,

DANDENONG STH VIC 3175

P|F +61 3 9793 1622 | 1644

E salesvic@tengroup.com.au

TASMANIA | STH AUSTRALIA

CAMBRIDGE TAS 7170

P +61 499 996 441

E salestas@tengroup.com.au



SCI QUAL
INTERNATIONAL



SCI QUAL
INTERNATIONAL



SCI QUAL
INTERNATIONAL