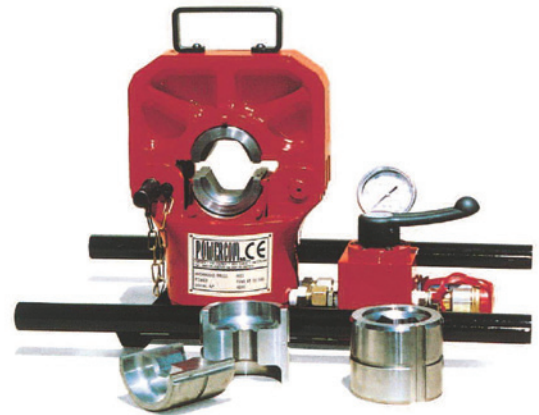


Hydraulic Press Pump TEN GROUP

100 Tonne Hydraulic Press Pump

Part No: IRP100

- Best press on the market in terms of lightness
- Made of high tensile alloy steel, hot forged and suitable for compression of joints on conductor and steel ropes for electric lines (medium and high voltage)
- Excellent weight /power ratio
- Easy to operate on suspension working platforms and steel towers
- Maximum hexagonal key of 57 mm
- Fitted with motorized or hand pump, control valve, pressure gauge and quick release couplings



Specifications:

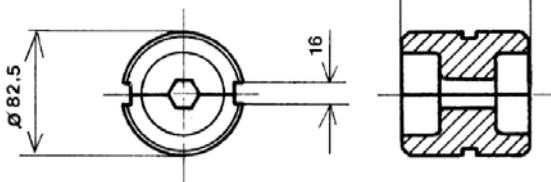
- Max pressing force 100 tonne working pressure max 700 bar
- Press weight 32kg
- Weight/Power ratio 3:1ton/kg
- Die weight 1.5kg
- Max. hexagon 57mm
- Max. stroke 26mm
- Case 50x70x62Hcm

Dies & Tools - 100 Tonne

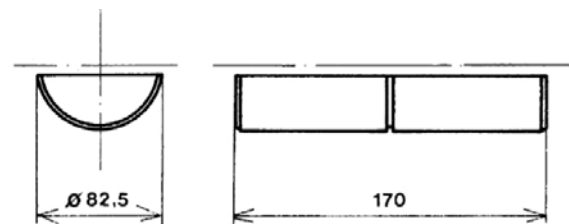
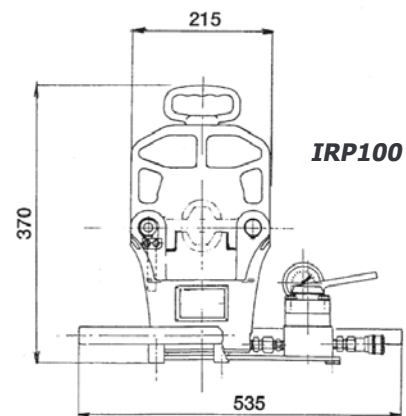
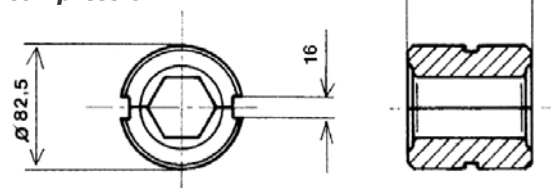
Part No: DIES***

- Dies are made of high tensile alloy steel, hot forged, heat-treated and precision machined
- Maximum hexagon 57mm

Dies for steel compression



Dies for aluminium compression



Anti-banana device